

FRP101



100mm=3.937"



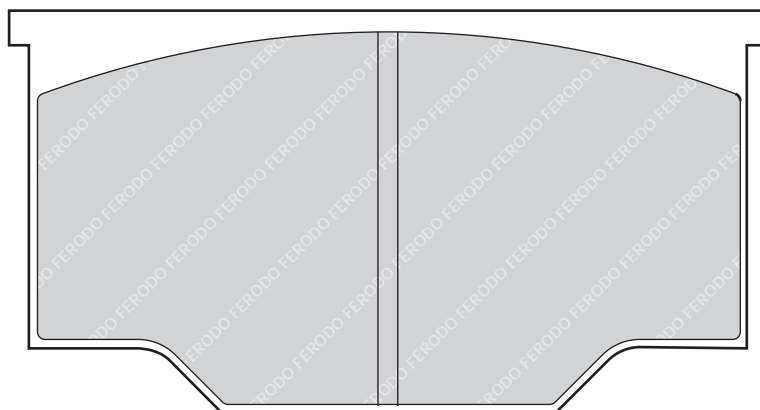
49.3mm=1.940"



16mm=0.629"

IMPORTANT NOTICE: Please note that the height measurement represents the radial depth, not the entire back plate

Lucas



COMPOUND AVAILABILITY

DS3000

FRP201



113.5mm=4.468"



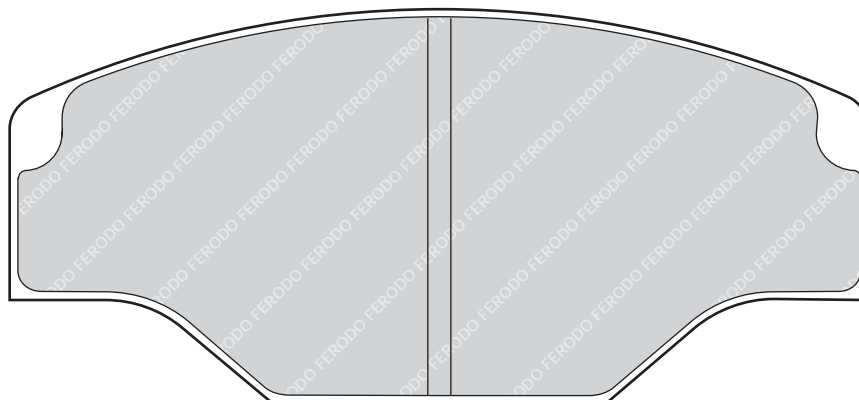
48mm=1.889"



15.7mm=0.618"

IMPORTANT NOTICE: Please note that the height measurement represents the radial depth, not the entire back plate

Alcon - PNF0083X264 **, Alcon - PNF4463X555 * / 554 ** / 568 ***, AP - CP2340D51, AP caliper CP2361, Citroën Saxo - Front



COMPOUND AVAILABILITY

DS2500 4003 DS3000 DS1.11 DS2.11

FRP202



81.9mm=3.224"



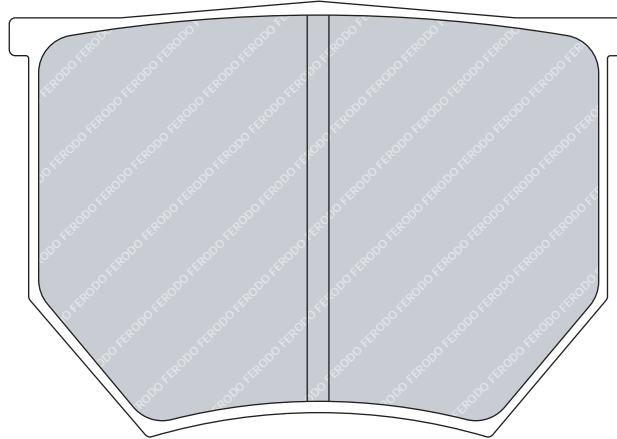
51mm=2.007"



15.8mm=0.622"

IMPORTANT NOTICE: Please note that the height measurement represents the radial depth, not the entire back plate

AP - CP2373, CP2382, CP2383, CP2384



COMPOUND AVAILABILITY

4003 DS3000

FRP203



126.7mm=4.988"



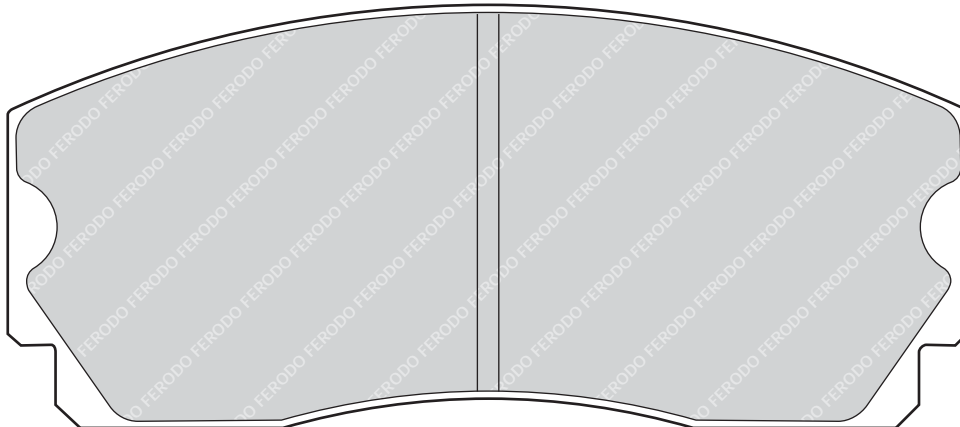
49mm=1.929"



15mm=0.590"

IMPORTANT NOTICE: Please note that the height measurement represents the radial depth, not the entire back plate

AP - CP2270D50, AP caliper CP2270 / CP2271



COMPOUND AVAILABILITY

DS2500 DS3000

FRP212



132.4mm=5.212"



50.3mm=1.980"



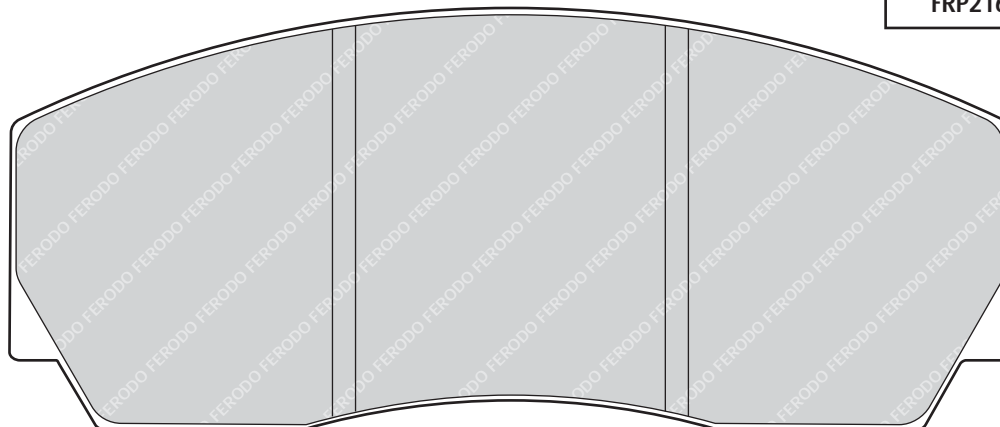
20.3mm=0.799"

IMPORTANT NOTICE: Please note that the height measurement represents the radial depth, not the entire back plate

AP - CP2279D50, AP caliper CP2279 / CP3395 / CP3788 / CP3789 / CP3799, Opel Omega Lotus - Front

ALSO AVAILABLE:

| SHAPE | THICKNESS |
|--------|-----------|
| FRP216 | 17mm |



COMPOUND AVAILABILITY

DS2500 DS3000 DS1.11 DS2.11

FRP216



132.4mm=5.212"



50.3mm=1.980"



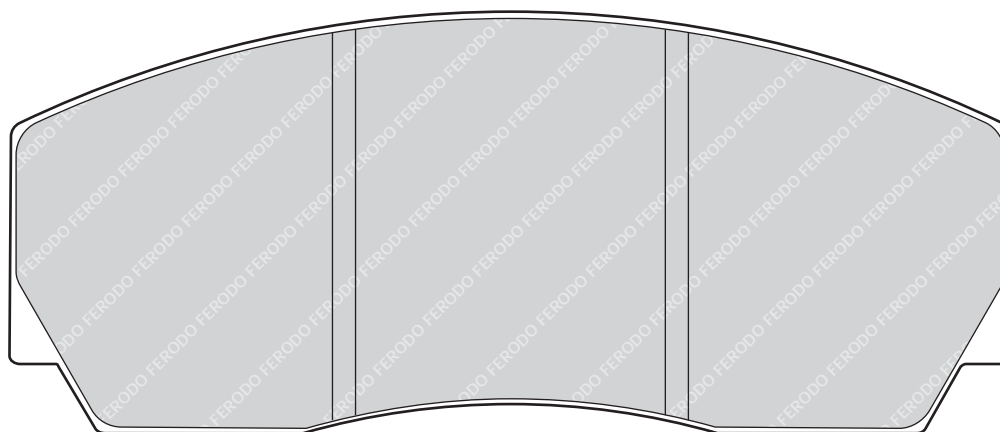
17mm=0.669"

IMPORTANT NOTICE: Please note that the height measurement represents the radial depth, not the entire back plate

AC Superbowler - Front, Alcon - PNF0084X245 ** / 288 *** / 331 ****, AP - CP3215D50, AP caliper CP3307 / CP3434 / CP3720 / CP4890 / CP5000, AP caliper CP5200

ALSO AVAILABLE:

| SHAPE | THICKNESS |
|--------|-----------|
| FRP212 | 20,3mm |



COMPOUND AVAILABILITY

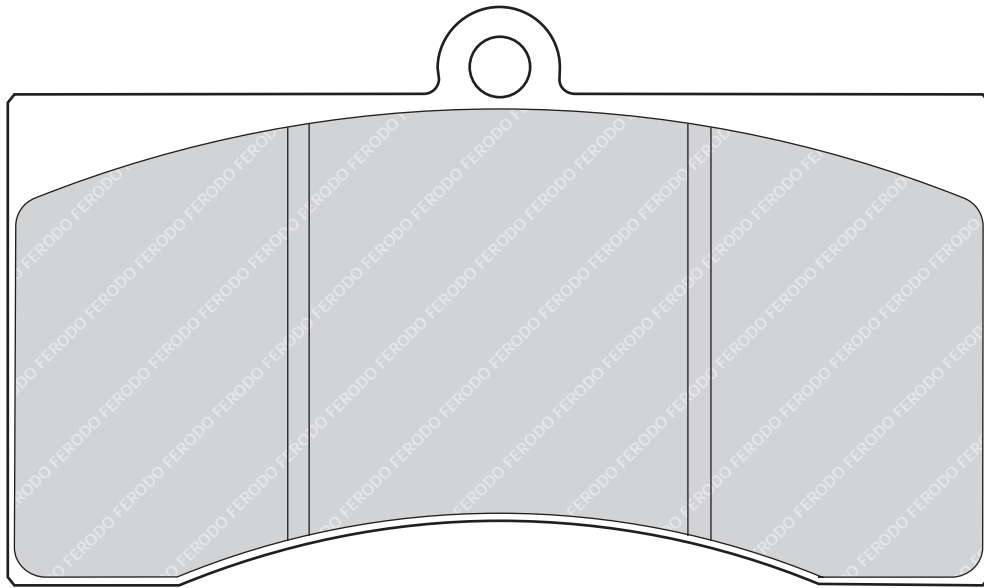
DS2500 4003 DS3000 DS3000+03 DS3000 End DS1.11 DS2.11

FRP217



IMPORTANT NOTICE: Please note that the height measurement represents the radial depth, not the entire back plate

AP - CP3714D54



COMPOUND AVAILABILITY

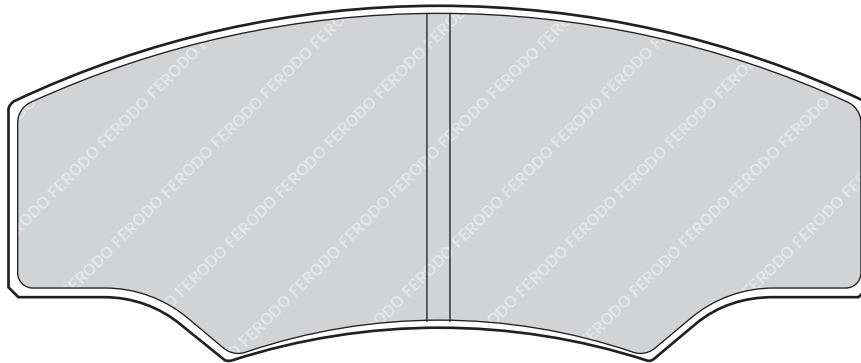
DS3000 DS3000+03 DS1.11

FRP218



IMPORTANT NOTICE: Please note that the height measurement represents the radial depth, not the entire back plate

Alcon - PNF4463X553 * / 551 **, Alcon caliper H type 0.630 (16mm), AP - CP2340D43, AP caliper CP3228 / CP3735 / CP4556 / CP4558 / CP6030, Citroën Saxo - Front



COMPOUND AVAILABILITY

DS2500 4003 DS3000 DS1.11

FRP219



113.6mm=4.472"



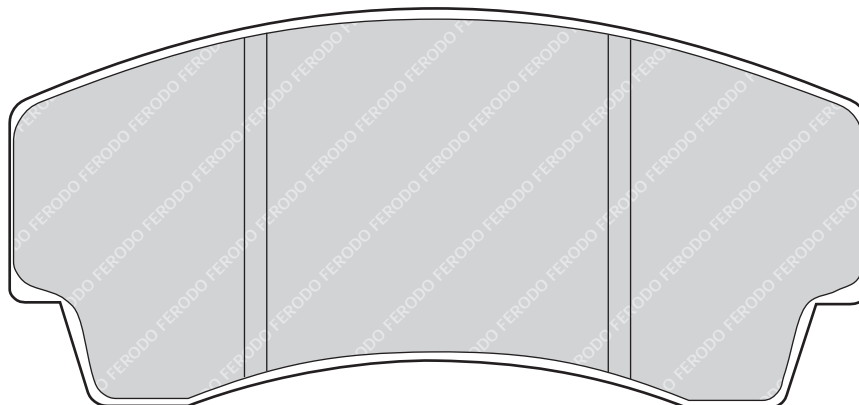
44mm=1.732"



16mm=0.629"

IMPORTANT NOTICE: Please note that the height measurement represents the radial depth, not the entire back plate

Alcon - PNF4463X529 ***** / 572 ** / H type 0.630 (16mm), Alcon caliper H type 0.630 (16mm), AP - CP3345D44, AP caliper CP3344 / CP3345 / CP4152 / CP4567 / CP5100, AP caliper CP5104, Peugeot 206 - Front



COMPOUND AVAILABILITY

DS2500 4003 DS3000 DS3000 End DS1.11 DS2.11

FRP302



131.8mm=5.188"



49mm=1.929"



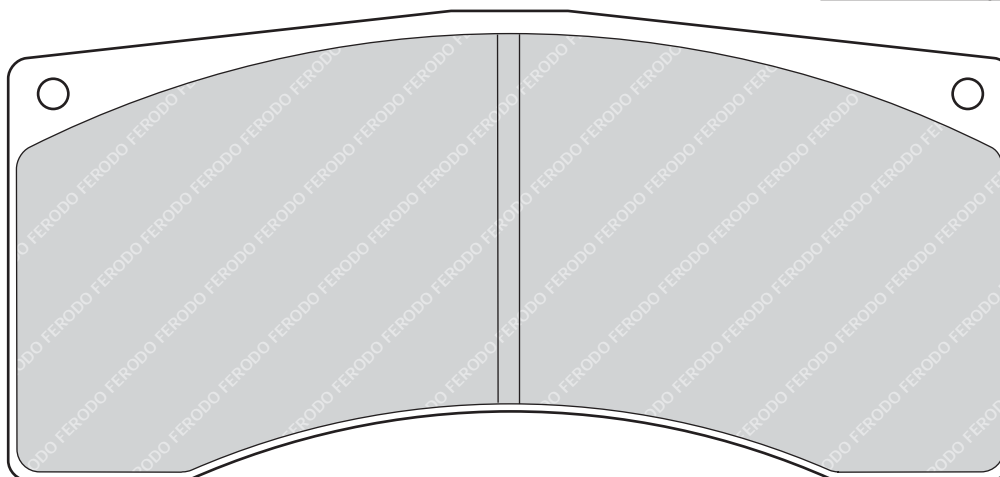
20mm=0.787"

IMPORTANT NOTICE: Please note that the height measurement represents the radial depth, not the entire back plate

Alcon - PNF4441X634 ***** / 728 ** / 737 *** / 754****, Alcon caliper B type 0.7900 (20mm), Brembo - 07.5139.6, Citroën Saxo - Front

ALSO AVAILABLE:

| SHAPE | THICKNESS |
|---------|-----------|
| FRP1077 | 16mm |
| FRP1078 | 25mm |
| FRP3007 | 18mm |
| FRP3008 | 14mm |



COMPOUND AVAILABILITY

DS2500 4003 DS3000 DS3000+03 DS2.11

FRP308



99.8mm=3.929"



43.6mm=1.716"



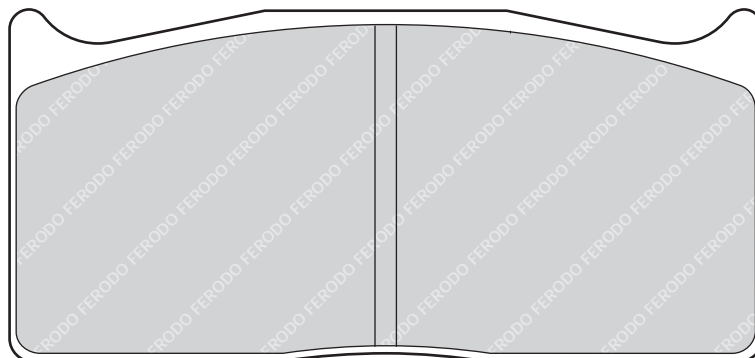
20mm=0.787"

IMPORTANT NOTICE: Please note that the height measurement represents the radial depth, not the entire back plate

AP caliper SC240, Brembo - 07.5064.7, Brembo caliper X2.029.21 / X2.029.71 / X6.059.41, Brembo caliper X9.011.01 / X9.011.31 / X96.14.03, Mitsubishi EVO9 GrN Brembo '06 - Rear, Wilwood caliper IR-GT

ALSO AVAILABLE:

| SHAPE | THICKNESS |
|---------|-----------|
| FRP1079 | 16mm |



COMPOUND AVAILABILITY

DS2500 4003 DS3000 DS3000 End DS1.11 DS2.11

FRP501



133mm=5.236"



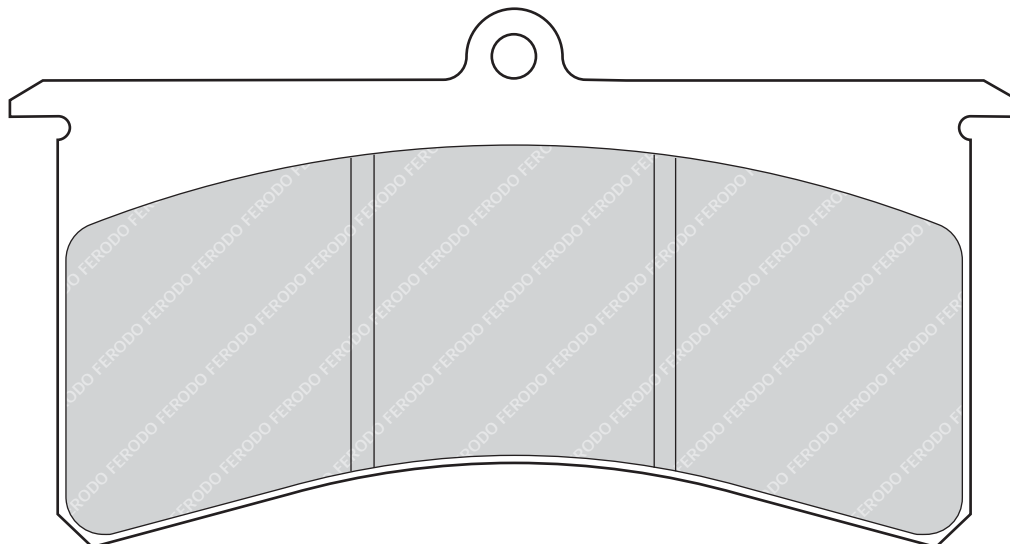
41mm=1.614"



20mm=0.787"

IMPORTANT NOTICE: Please note that the height measurement represents the radial depth, not the entire back plate

AP - CP4751D43, AP caliper SC200 / SC300 / SC350, Coleman caliper Series I, II, Outlaw caliper type 3000 / 3500 / 4000, Wilwood caliper LC-GT, SL-GT, Superlite 4, superlite 6



COMPOUND AVAILABILITY

DS2500 4003 DS3000 DS3000 End DS1.11 DS2.11

FRP502



100.7mm=3.964"

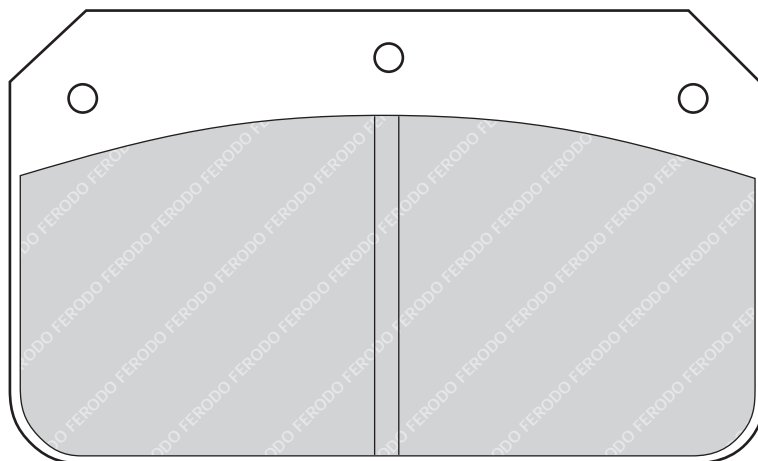


46.4mm=1.826"



12.5mm=0.492"

IMPORTANT NOTICE: Please note that the height measurement represents the radial depth, not the entire back plate
 Alcon - PNF0084X284 **, JFZ / Sierra caliper Mini GN dual, Outlaw caliper type 2000 / 2500, Wilwood caliper Dynalite centre pin



COMPOUND AVAILABILITY

DS2500 DS3000 DS3000+03 DS3000 End DS1.11

FRP503



171mm=6.732"

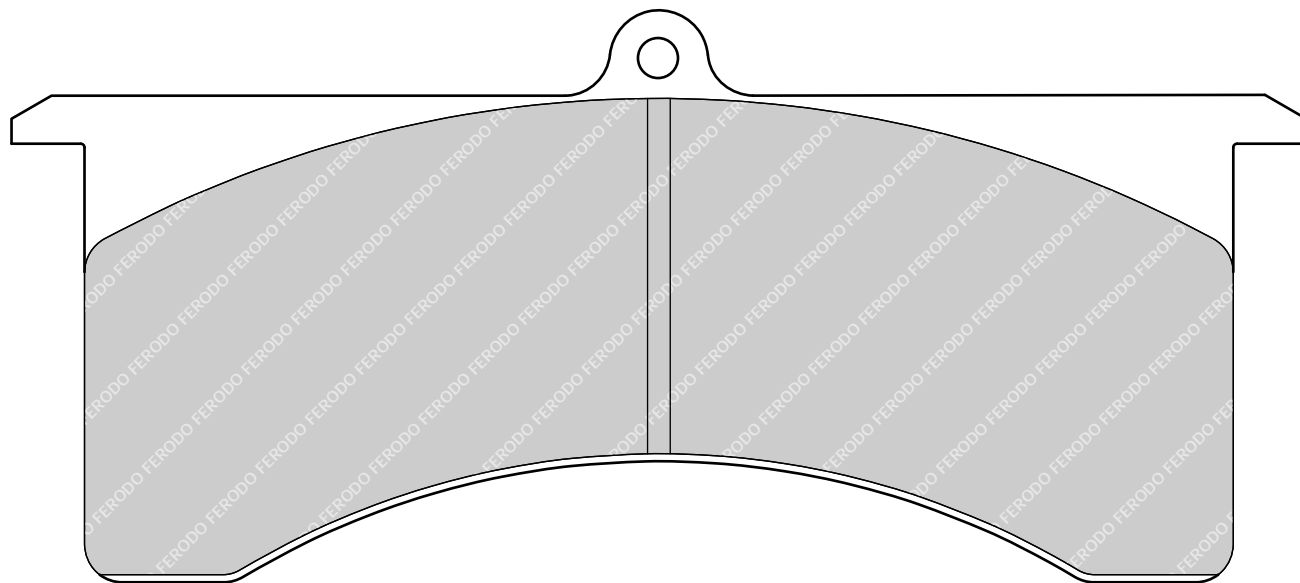


47mm=1.850"



20.5mm=0.807"

IMPORTANT NOTICE: Please note that the height measurement represents the radial depth, not the entire back plate
 AP - CP5805D45, AP caliper SC360 / SC560, JFZ / Sierra caliper GN Series / XL Series, Wilwood caliper GN III



COMPOUND AVAILABILITY

DS3000 DS3000+03 DS1.11 DS2.11

FRP504



101mm=3.976"



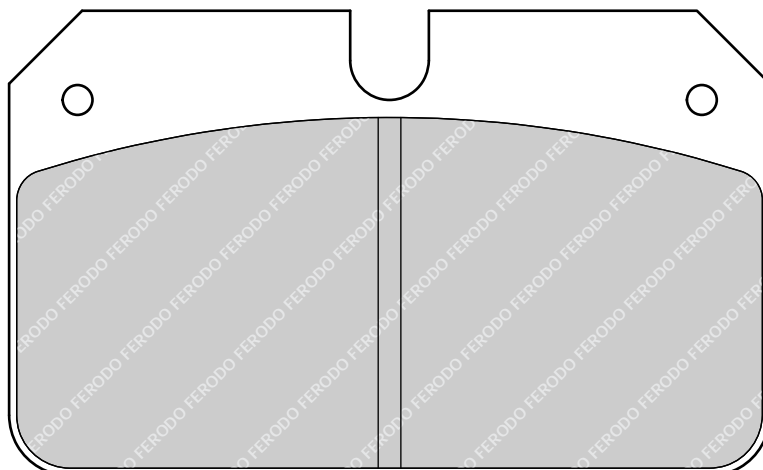
47mm=1.850"



12.5mm=0.492"

IMPORTANT NOTICE: Please note that the height measurement represents the radial depth, not the entire back plate

Outlaw caliper type Bridgebold 2000 / Bridgebold 2500, Wilwood caliper Dynalite bridge bolt



COMPOUND AVAILABILITY

DS3000 DS1.11

FRP506



50.5mm=1.988"



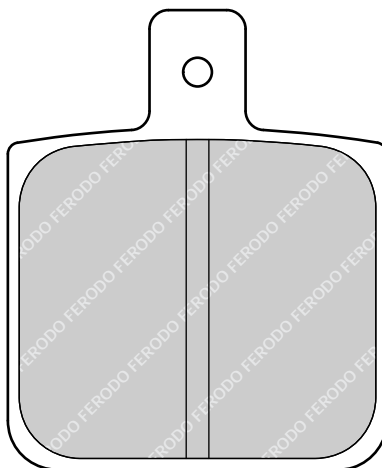
42mm=1.653"



13mm=0.511"

IMPORTANT NOTICE: Please note that the height measurement represents the radial depth, not the entire back plate

JFZ / Sierra caliper Mini GN single, MWE caliper Drag 2 piston, Outlaw caliper type 1000 / 1500, Wilwood caliper Dynalite single



COMPOUND AVAILABILITY

4003 DS3000 DS1.11

FRP1058



79.8mm=3.141"



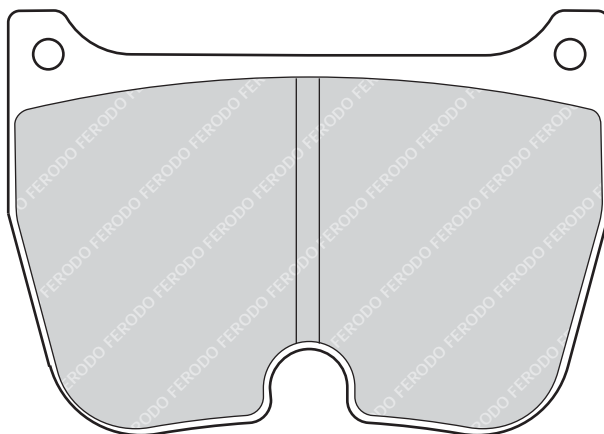
45.5mm=1.791"



18mm=0.708"

IMPORTANT NOTICE: Please note that the height measurement represents the radial depth, not the entire back plate

Alcon - PNF0084X272 **, Brembo - 07.5684.2



COMPOUND AVAILABILITY

DS3000

ALSO AVAILABLE:

| SHAPE | THICKNESS |
|---------|-----------|
| FRP1064 | 20mm |
| FRP3036 | 21mm |

FRP1059



84.8mm=3.338"



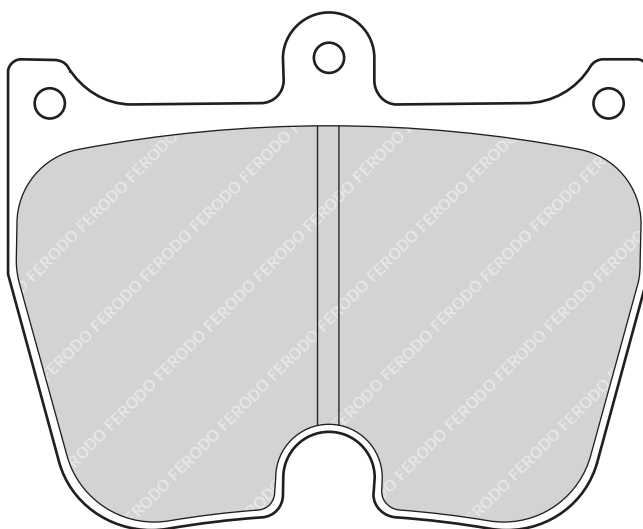
51.5mm=2.027"



22mm=0.866"

IMPORTANT NOTICE: Please note that the height measurement represents the radial depth, not the entire back plate

Brembo - 07.5868.



COMPOUND AVAILABILITY

DS3000

ALSO AVAILABLE:

| SHAPE | THICKNESS |
|---------|-----------|
| FRP3004 | 20mm |
| FRP3045 | 18mm |
| FRP3034 | 21mm |

FRP1060

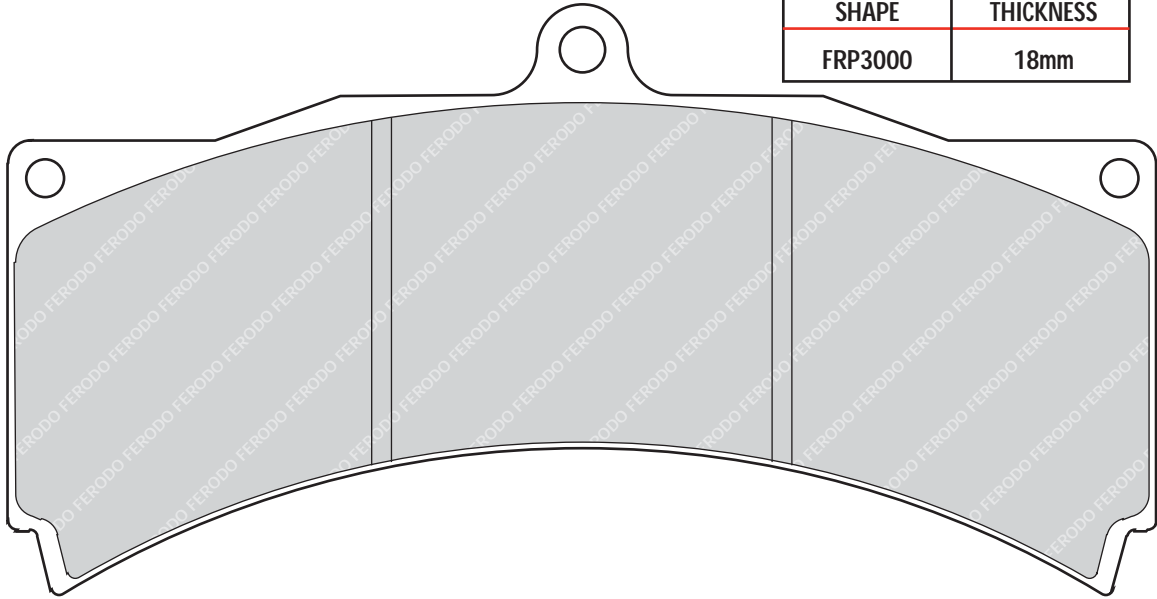


IMPORTANT NOTICE: Please note that the height measurement represents the radial depth, not the entire back plate

AP - CP3558D46

ALSO AVAILABLE:

| SHAPE | THICKNESS |
|---------|-----------|
| FRP3000 | 18mm |



COMPOUND AVAILABILITY

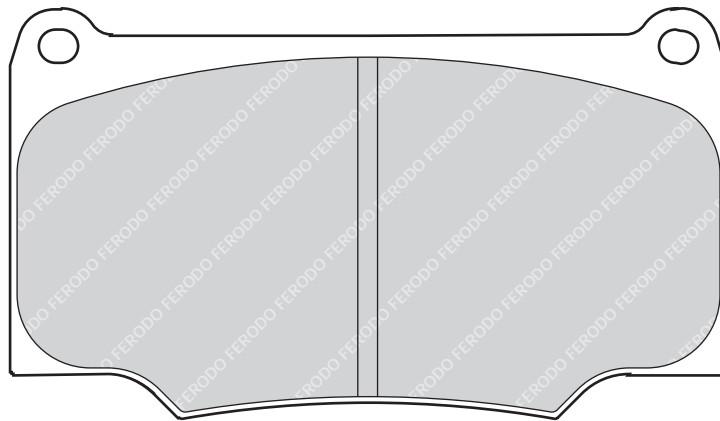
DS3000 DS3000 End DS1.11 DS2.11

FRP1061



IMPORTANT NOTICE: Please note that the height measurement represents the radial depth, not the entire back plate

AP - CP4296D46, AP caliper CP4131



COMPOUND AVAILABILITY

DS3000

FRP1064



79.8mm=3.141"



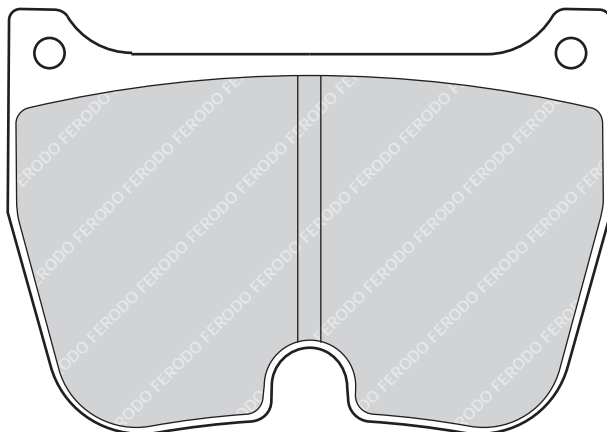
45.5mm=1.791"



20mm=0.787"

IMPORTANT NOTICE: Please note that the height measurement represents the radial depth, not the entire back plate

Alcon - PNF0084X282 **, Brembo - 07.5684.2, Brembo caliper X93.41.41 / X93.73.01 / X93.73.11



ALSO AVAILABLE:

| SHAPE | THICKNESS |
|---------|-----------|
| FRP1058 | 18mm |
| FRP3036 | 21mm |

COMPOUND AVAILABILITY

4003 DS3000

FRP1077



131.8mm=5.188"



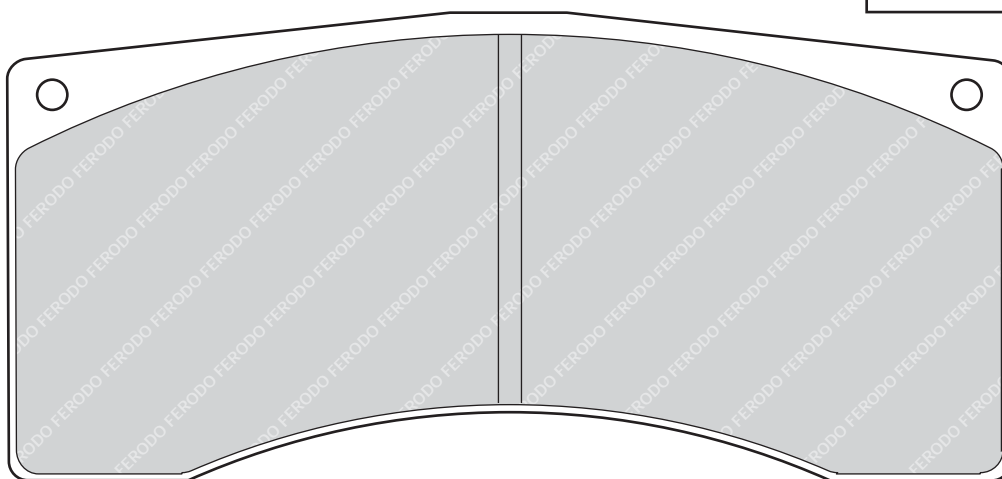
49mm=1.929"



16mm=0.629"

IMPORTANT NOTICE: Please note that the height measurement represents the radial depth, not the entire back plate

Alcon - PNF4441X714 * / 723 ** / PNF0084X265 **, Alcon caliper B type 0.630 (16mm), Brembo - 07.5139.0, Brembo caliper X9.005.91, Peugeot 206 - Front



ALSO AVAILABLE:

| SHAPE | THICKNESS |
|---------|-----------|
| FRP302 | 20mm |
| FRP1078 | 25mm |
| FRP3007 | 18mm |
| FRP3008 | 14mm |

COMPOUND AVAILABILITY

DS2500 4003 DS3000 DS3000+03 DS3000 End DS1.11 DS2.11

FRP1078

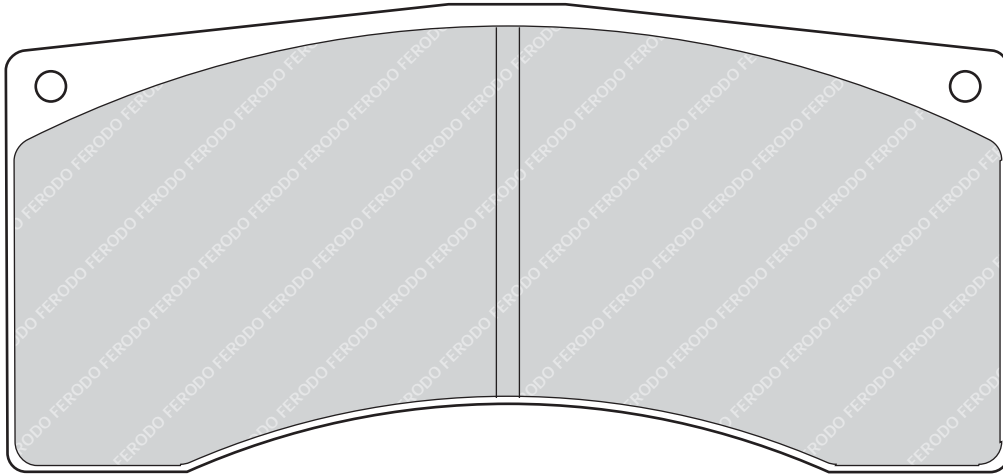


IMPORTANT NOTICE: Please note that the height measurement represents the radial depth, not the entire back plate

Alcon caliper B type 0.980 (25mm), Brembo - 07.5139.3, Brembo caliper X9.060.51 / 20.4548.03

ALSO AVAILABLE:

| SHAPE | THICKNESS |
|---------|-----------|
| FRP302 | 20mm |
| FRP1077 | 16mm |
| FRP3007 | 18mm |
| FRP3008 | 14mm |



COMPOUND AVAILABILITY

DS3000 DS3000+03 DS3000 End DS1.11 DS2.11

FRP1079

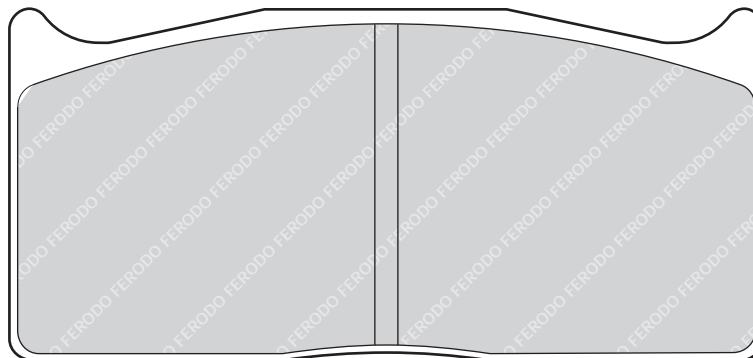


IMPORTANT NOTICE: Please note that the height measurement represents the radial depth, not the entire back plate

Alcon - PNF0084X322 **, Brembo - 07.5064.8, Brembo caliper X2.040.01 / X9.066.91 / X94.75.11

ALSO AVAILABLE:

| SHAPE | THICKNESS |
|--------|-----------|
| FRP308 | 20mm |



COMPOUND AVAILABILITY

DS2500 4003 DS3000 DS3000 End DS1.11

FRP3000



152mm=5.984"



45mm=1.771"



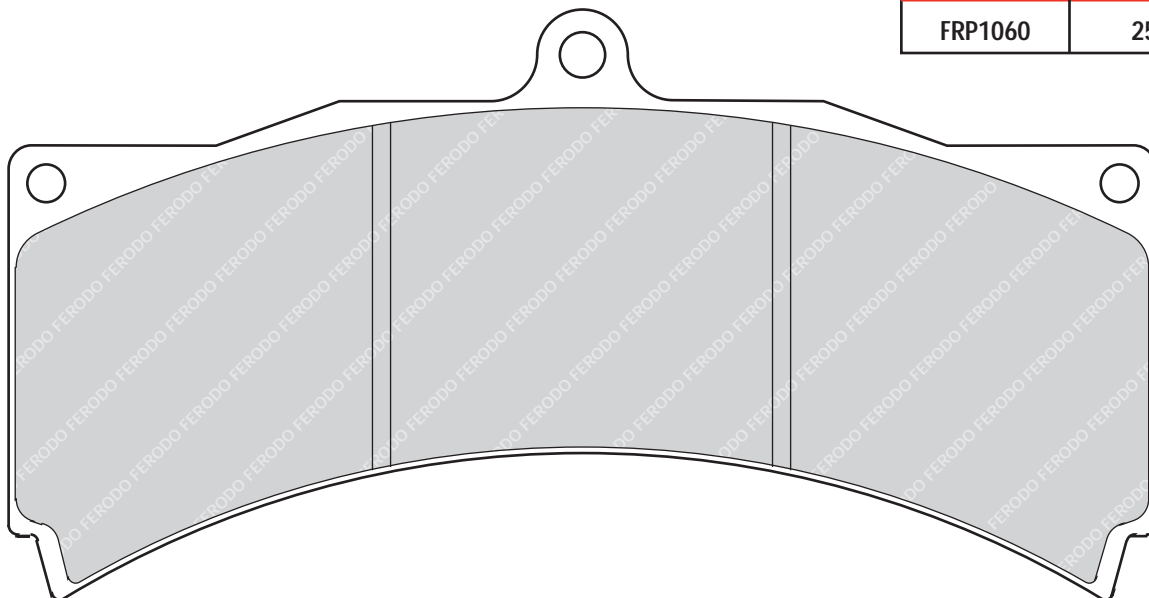
18mm=0.708"

IMPORTANT NOTICE: Please note that the height measurement represents the radial depth, not the entire back plate

Alcon - PNF4489X534 * / 519 ** / 562 ****, AP - CP3894D46, AP caliper CP3796 / CP3894 / CP3996 / CP4090 / CP4096, AP caliper CP4098

ALSO AVAILABLE:

| SHAPE | THICKNESS |
|---------|-----------|
| FRP1060 | 25mm |



COMPOUND AVAILABILITY

DS2500 DS3000 DS3000+03 DS3000 End DS1.11 DS2.11

FRP3001



94.6mm=3.724"



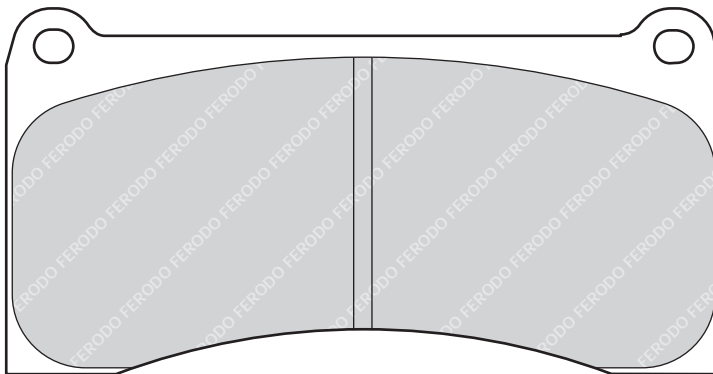
36mm=1.417"



14.5mm=0.570"

IMPORTANT NOTICE: Please note that the height measurement represents the radial depth, not the entire back plate

Alcon - PNF0084X225 ***** , AP - CP4140D36



COMPOUND AVAILABILITY

DS2500 4003 DS3000

FRP3002



94.6mm=3.724"



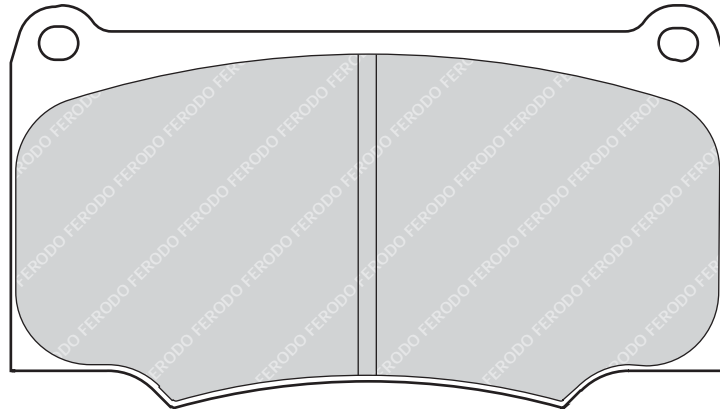
42.5mm=1.673"



16mm=0.629"

IMPORTANT NOTICE: Please note that the height measurement represents the radial depth, not the entire back plate

AP - CP4296D43



COMPOUND AVAILABILITY

DS3000

FRP3003



152.1mm=5.988"



54mm=2.125"



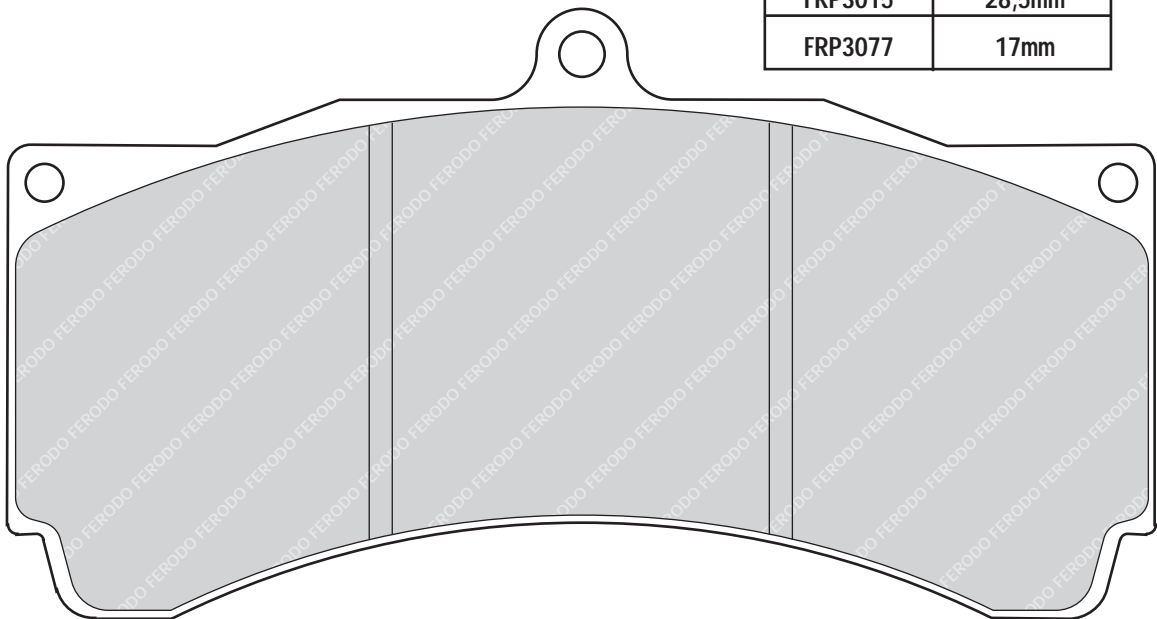
18mm=0.708"

IMPORTANT NOTICE: Please note that the height measurement represents the radial depth, not the entire back plate

Alcon - PNF4489X532 **, AP - CP3894D54, Coleman caliper Series IV

ALSO AVAILABLE:

| SHAPE | THICKNESS |
|---------|-----------|
| FRP3014 | 25mm |
| FRP3015 | 28,5mm |
| FRP3077 | 17mm |



COMPOUND AVAILABILITY

DS2500 DS3000 DS3000+03 DS3000 End DS1.11 DS2.11

FRP3004



84.8mm=3.338"



51.5mm=2.027"



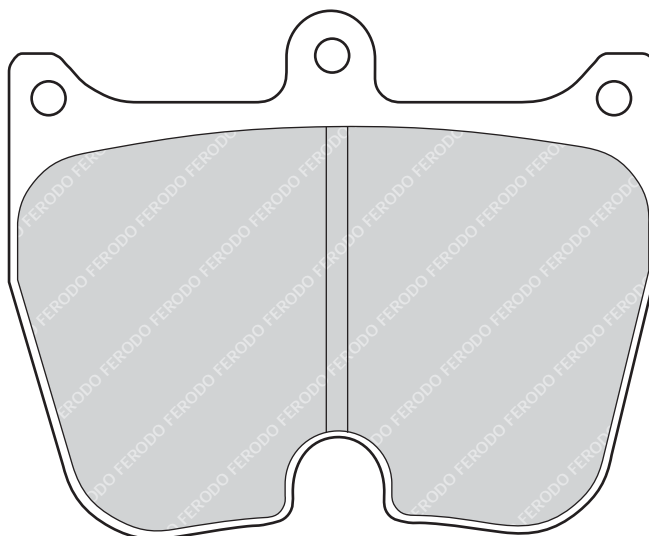
20mm=0.787"

IMPORTANT NOTICE: Please note that the height measurement represents the radial depth, not the entire back plate

Alcon - PNF0084X283 **, Brembo - 07.5868.2, Brembo caliper X94.44.21

ALSO AVAILABLE:

| SHAPE | THICKNESS |
|---------|-----------|
| FRP1059 | 22mm |
| FRP3034 | 21mm |
| FRP3045 | 18mm |



COMPOUND AVAILABILITY

DS3000

FRP3006



152mm=5.984"



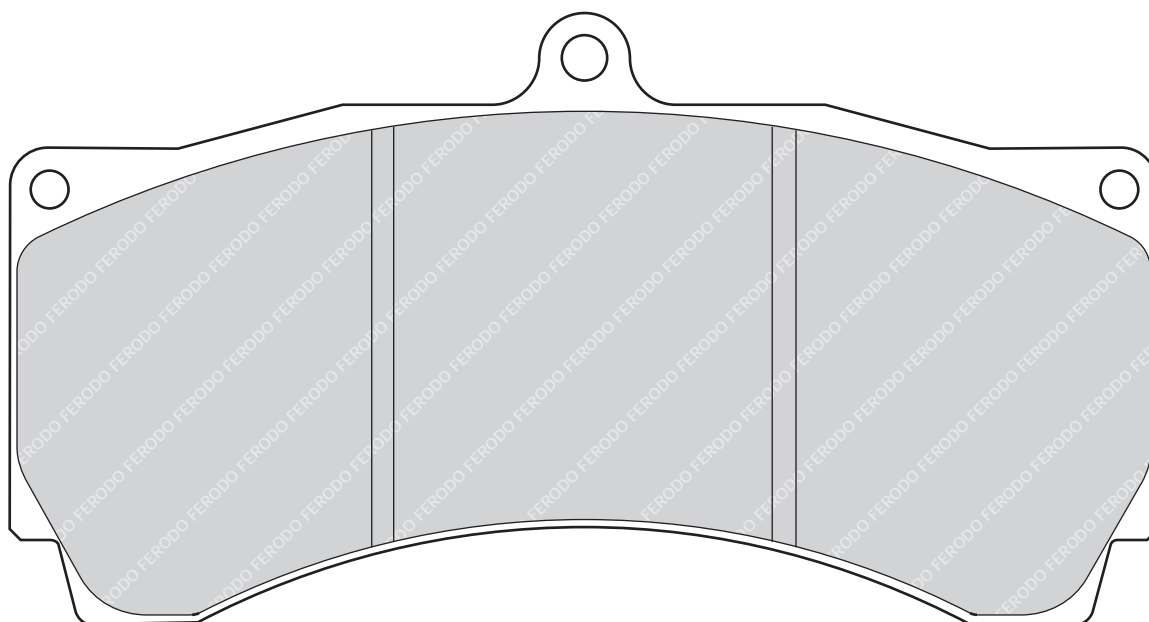
54mm=2.125"



16mm=0.629"

IMPORTANT NOTICE: Please note that the height measurement represents the radial depth, not the entire back plate

Alcon caliper type 6x2 - 0.630 (16mm), AP - CP3796D54



COMPOUND AVAILABILITY

DS2500 DS3000

FRP3007

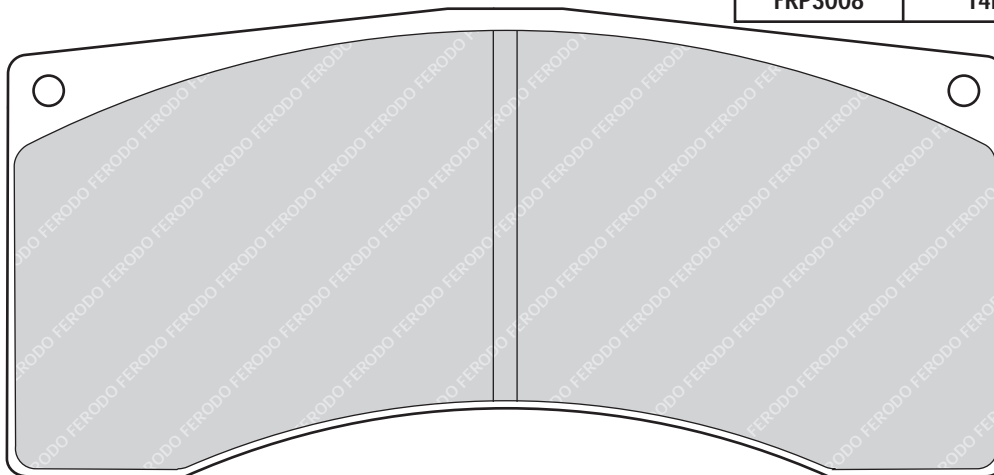


IMPORTANT NOTICE: Please note that the height measurement represents the radial depth, not the entire back plate

Alcon caliper B type 0.700 (18mm)

ALSO AVAILABLE:

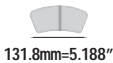
| SHAPE | THICKNESS |
|---------|-----------|
| FRP302 | 20mm |
| FRP1077 | 16mm |
| FRP1078 | 25mm |
| FRP3008 | 14mm |



COMPOUND AVAILABILITY

DS2500 DS3000

FRP3008

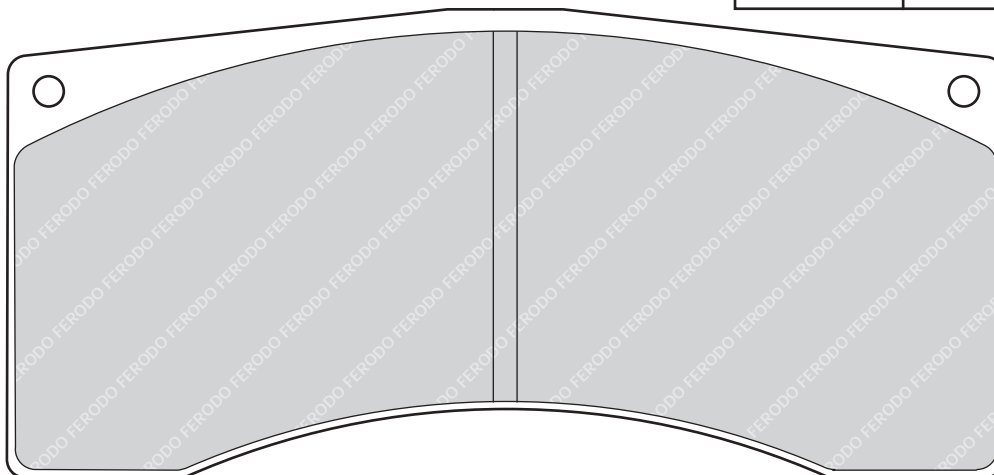


IMPORTANT NOTICE: Please note that the height measurement represents the radial depth, not the entire back plate

Alcon caliper B type 0.550 (14mm)

ALSO AVAILABLE:

| SHAPE | THICKNESS |
|---------|-----------|
| FRP302 | 20mm |
| FRP1077 | 16mm |
| FRP1078 | 25mm |
| FRP3007 | 18mm |



COMPOUND AVAILABILITY

DS3000

FRP3009



131.7mm=5.185"



59mm=2.322"



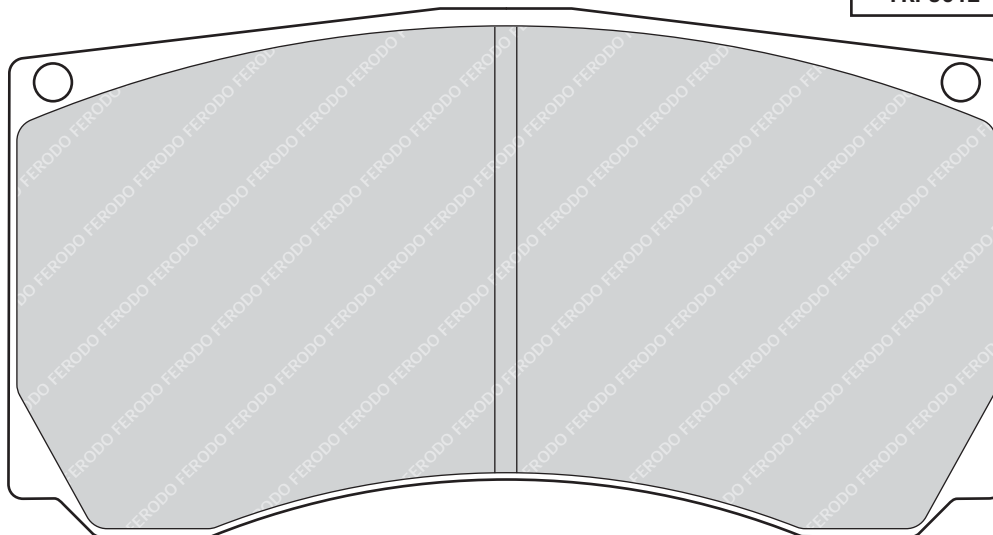
16mm=0.629"

IMPORTANT NOTICE: Please note that the height measurement represents the radial depth, not the entire back plate

Alcon - PNF4476X541 * / 545 **, Alcon caliper K type 0.630 (16mm)

ALSO AVAILABLE:

| SHAPE | THICKNESS |
|---------|-----------|
| FRP3012 | 20mm |



COMPOUND AVAILABILITY

DS3000 DS3000 End

FRP3012



131.7mm=5.185"



59mm=2.322"



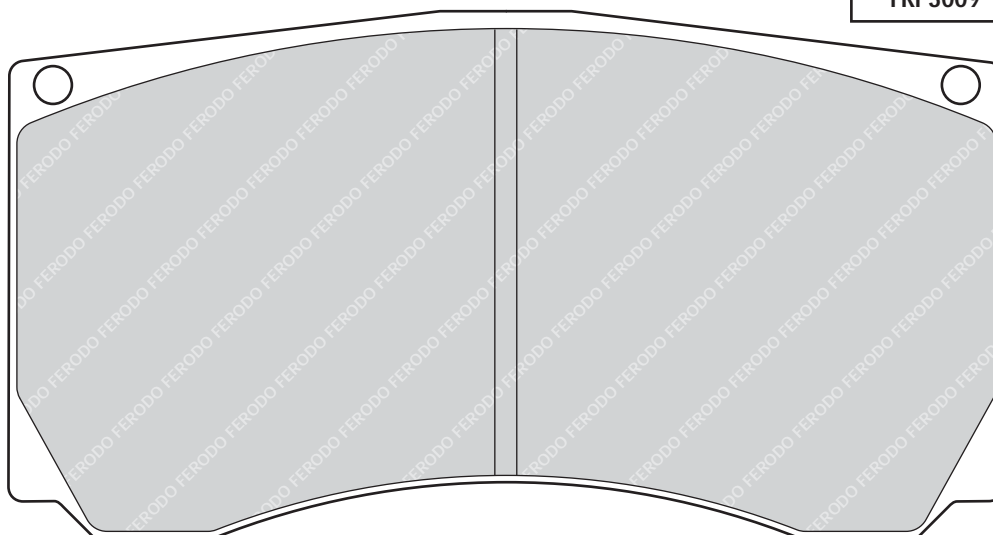
20mm=0.787"

IMPORTANT NOTICE: Please note that the height measurement represents the radial depth, not the entire back plate

Alcon - PNF4476X549 **, Alcon caliper K type 0.790 (20mm)

ALSO AVAILABLE:

| SHAPE | THICKNESS |
|---------|-----------|
| FRP3009 | 16mm |



COMPOUND AVAILABILITY

DS3000 DS1.11 DS2.11

FRP3014

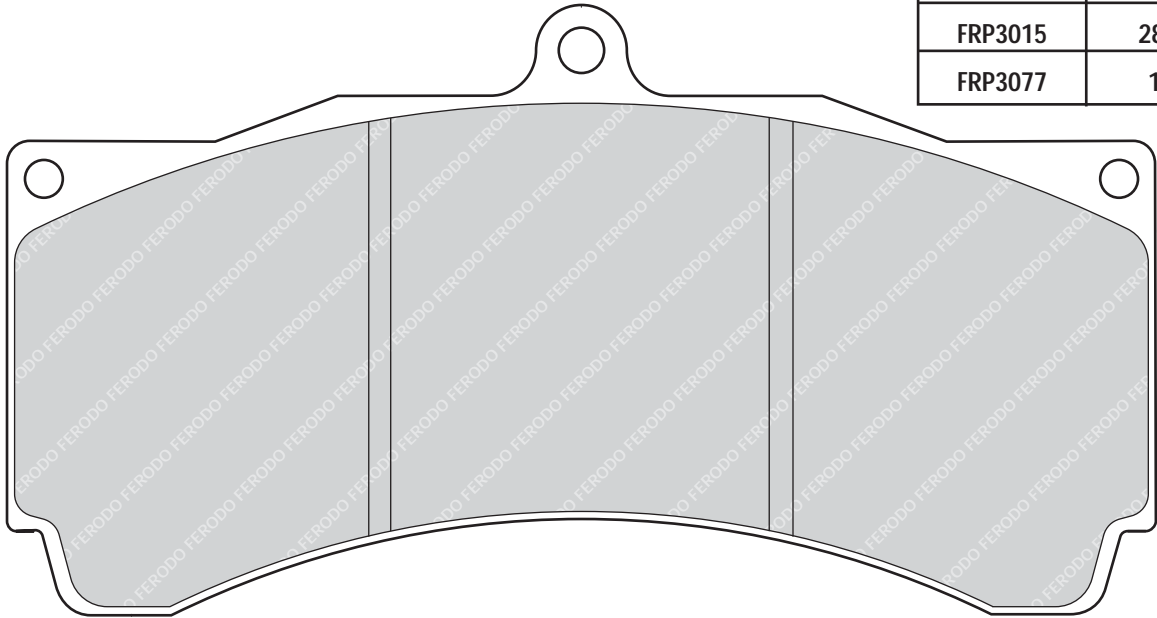


IMPORTANT NOTICE: Please note that the height measurement represents the radial depth, not the entire back plate

AP - CP3558D54, AP caliper CP4218 / SC660 / SC670

ALSO AVAILABLE:

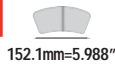
| SHAPE | THICKNESS |
|---------|-----------|
| FRP3003 | 18mm |
| FRP3015 | 28,5mm |
| FRP3077 | 17mm |



COMPOUND AVAILABILITY

DS3000 DS3000+03 DS1.11 DS2.11

FRP3015

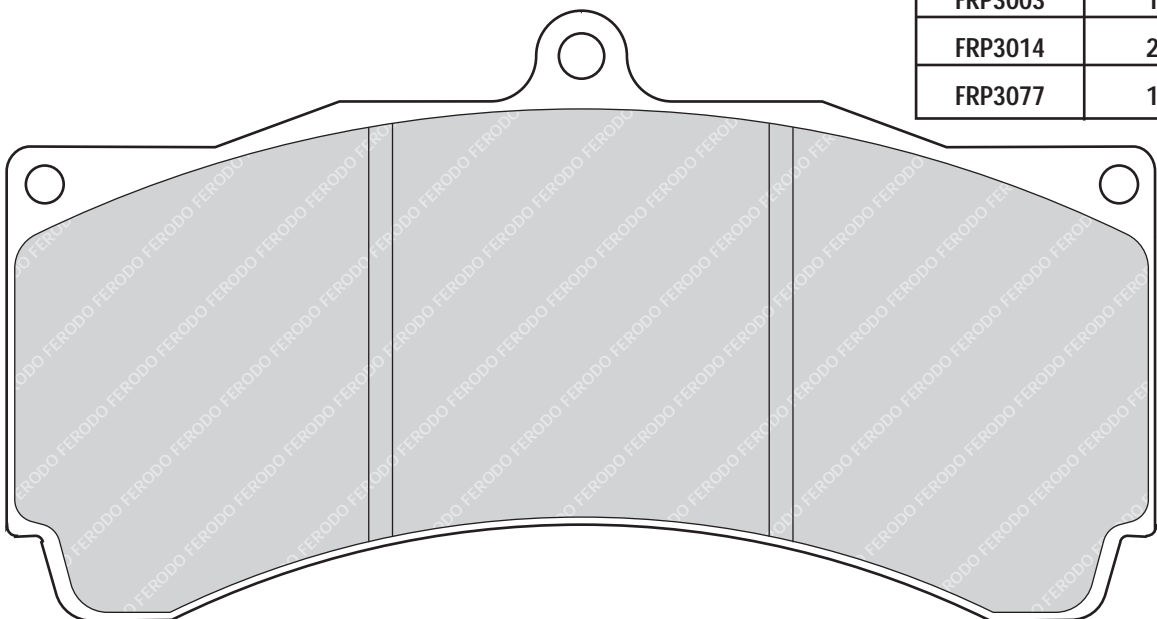


IMPORTANT NOTICE: Please note that the height measurement represents the radial depth, not the entire back plate

Alcon - PNF4489X543 ** / 544 ***, Alcon caliper XR6 type 1.122 (28,5mm), AP - CP4595D54, AP caliper CP4230 / SC660 / SC670

ALSO AVAILABLE:

| SHAPE | THICKNESS |
|---------|-----------|
| FRP3003 | 18mm |
| FRP3014 | 25mm |
| FRP3077 | 17mm |



COMPOUND AVAILABILITY

DS3000 DS3000+03 DS1.11

FRP3016



131.8mm=5.188"



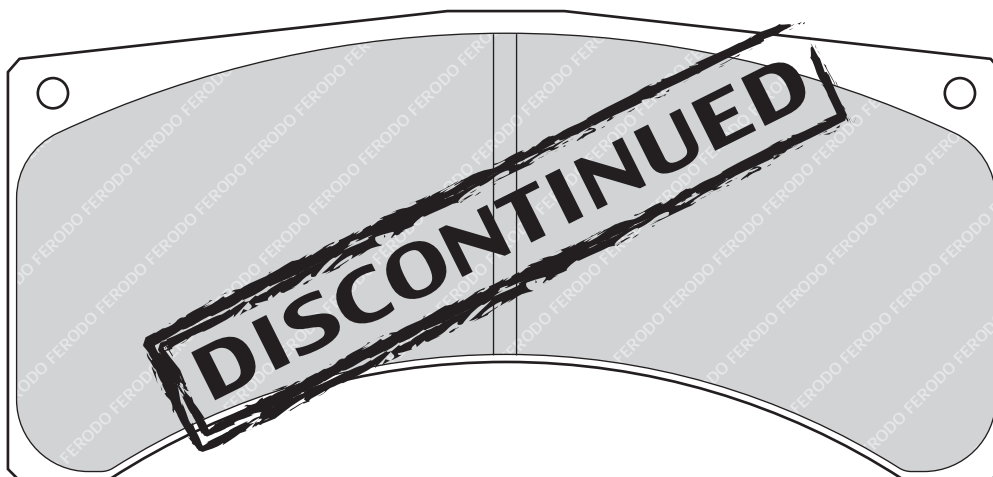
42.5mm=1.673"



18mm=0.708"

IMPORTANT NOTICE: Please note that the height measurement represents the radial depth, not the entire back plate

See FRP3070



COMPOUND AVAILABILITY

DS3000 DS3000+03

FRP3018



132.4mm=5.212"



42mm=1.653"



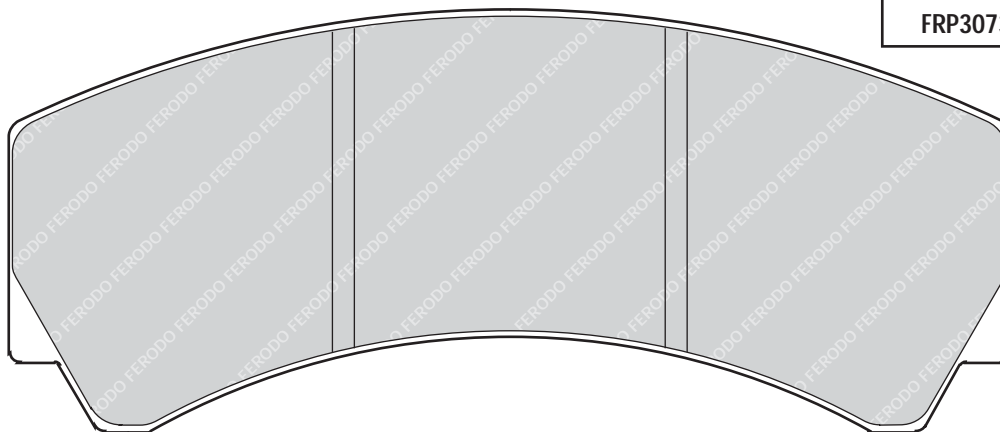
16.7mm=0.657"

IMPORTANT NOTICE: Please note that the height measurement represents the radial depth, not the entire back plate

Alcon - PNF0084X276 **, AP - CP3215D42

ALSO AVAILABLE:

| SHAPE | THICKNESS |
|---------|-----------|
| FRP3073 | 20,3mm |



COMPOUND AVAILABILITY

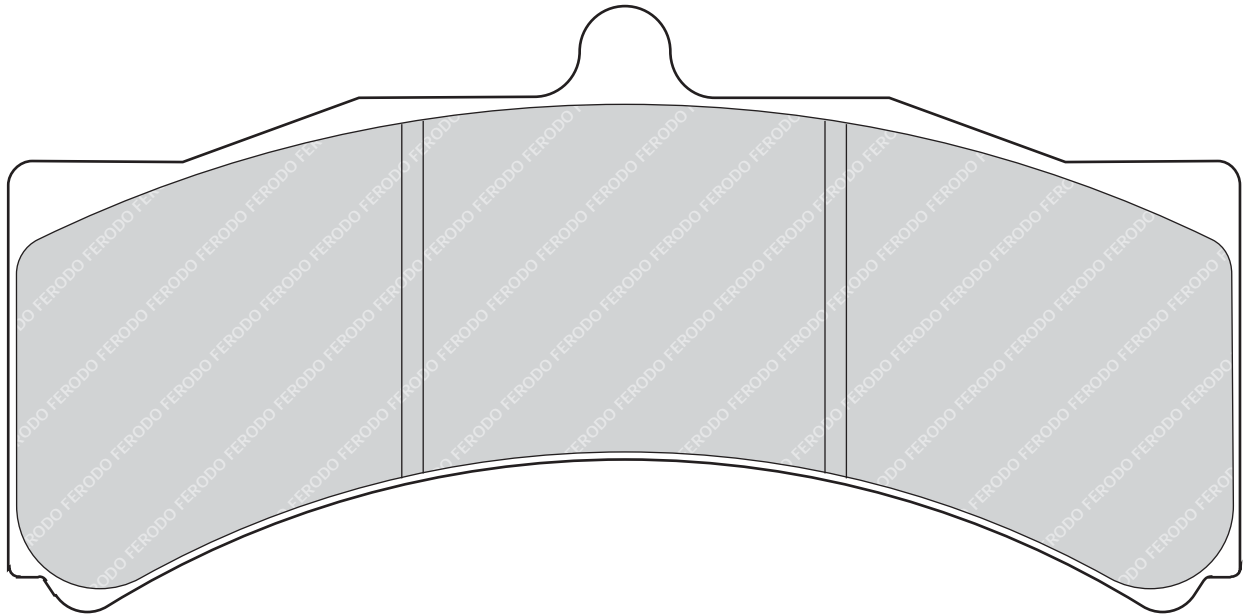
DS2500 DS3000 DS3000+03 DS3000 End

FRP3019



IMPORTANT NOTICE: Please note that the height measurement represents the radial depth, not the entire back plate

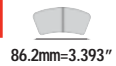
AP - CP6220D46 (15 mm)



COMPOUND AVAILABILITY

DS3000

FRP3020

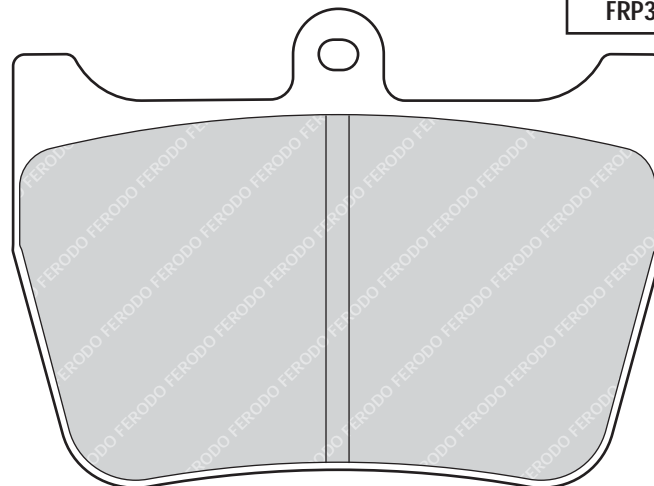


IMPORTANT NOTICE: Please note that the height measurement represents the radial depth, not the entire back plate

AP - CP5148D46

ALSO AVAILABLE:

| SHAPE | THICKNESS |
|---------|-----------|
| FRP3086 | 18mm |



COMPOUND AVAILABILITY

DS3000 DS3000+03 DS2.11

FRP3021



113.7mm=4.476"



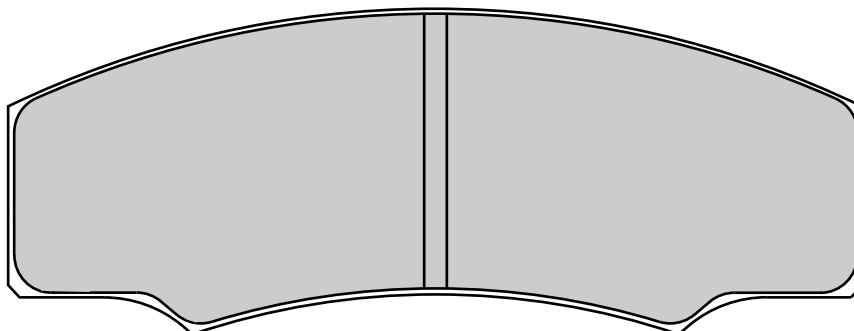
36.6mm=1.440"



16mm=0.629"

IMPORTANT NOTICE: Please note that the height measurement represents the radial depth, not the entire back plate

AP - CP2340D38, AP caliper for F3



COMPOUND AVAILABILITY

4003 DS3000 End DS1.11 DS2.11

FRP3022



79.8mm=3.141"



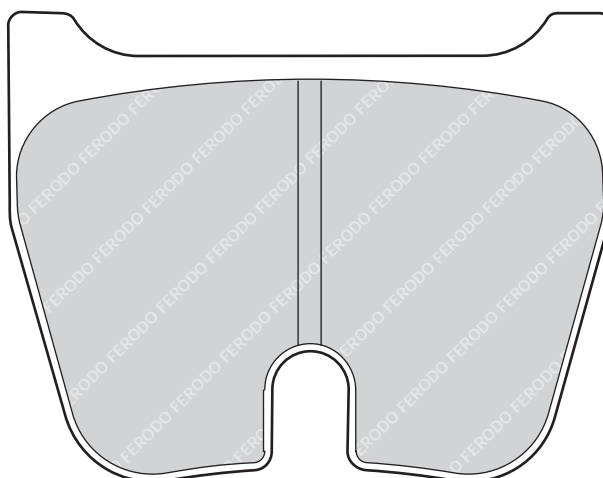
50.5mm=1.988"



20mm=0.787"

IMPORTANT NOTICE: Please note that the height measurement represents the radial depth, not the entire back plate

Brembo - 07.5684.5



ALSO AVAILABLE:

| SHAPE | THICKNESS |
|---------|-----------|
| FRP3023 | 17,5mm |
| FRP3033 | 21mm |

COMPOUND AVAILABILITY

DS3000 DS1.11 DS2.11

FRP3023



79.8mm=3.141"



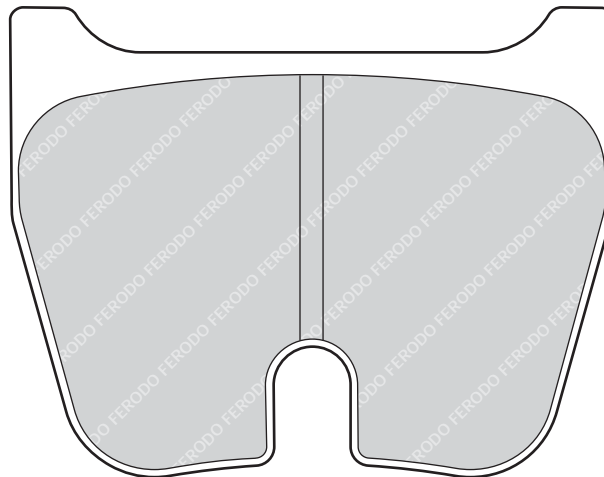
50.5mm=1.988"



17.5mm=0.688"

IMPORTANT NOTICE: Please note that the height measurement represents the radial depth, not the entire back plate

Brembo - 07.5684.5



ALSO AVAILABLE:

| SHAPE | THICKNESS |
|---------|-----------|
| FRP3022 | 20mm |
| FRP3033 | 21mm |

COMPOUND AVAILABILITY

DS3000 DS3000+03 DS2.11

FRP3024



139.8mm=5.503"



48mm=1.889"



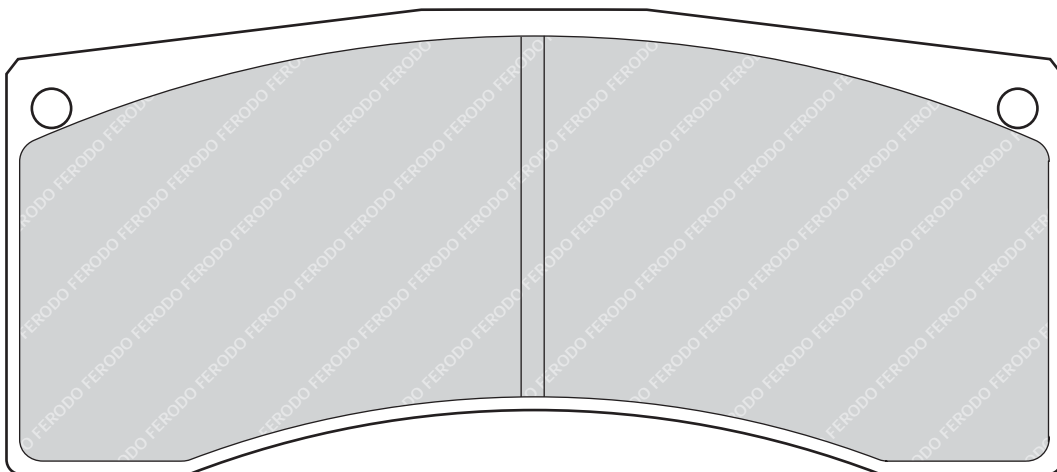
20mm=0.787"

IMPORTANT NOTICE: Please note that the height measurement represents the radial depth, not the entire back plate

AP - CP5788D48, Brembo - 07.5169.9, Brembo caliper X2.023.21 / X2.028.01, Wilwood caliper Integra GT

ALSO AVAILABLE:

| SHAPE | THICKNESS |
|---------|-----------|
| FRP3029 | 26mm |
| FRP3030 | 28mm |



COMPOUND AVAILABILITY

4003 DS3000 DS3000 End DS1.11 DS2.11

FRP3025



149.8mm=5.897"



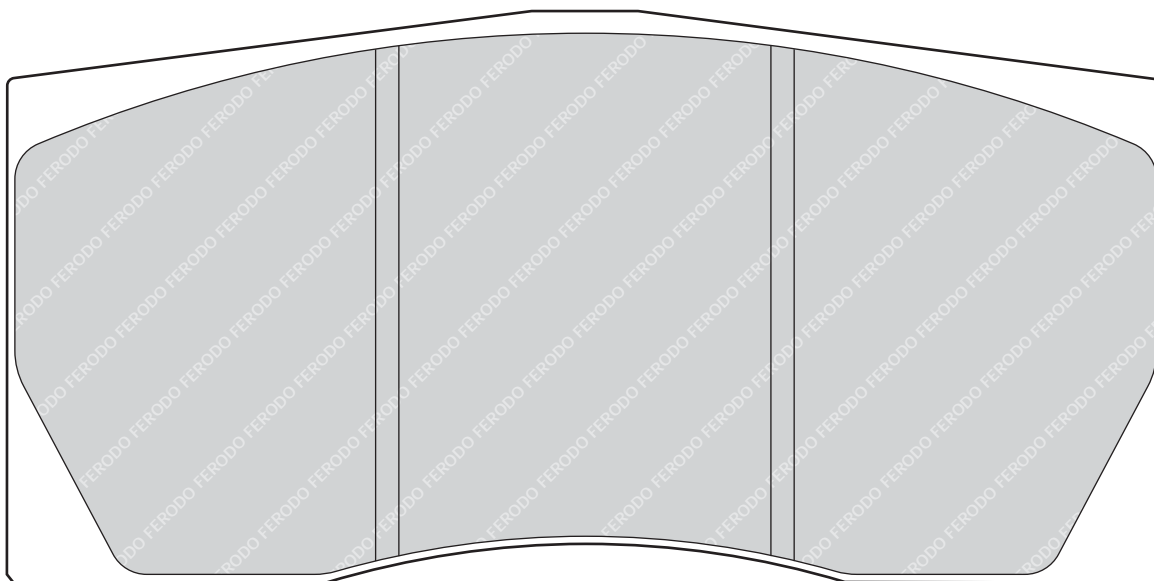
66mm=2.598"



30mm=1.181"

IMPORTANT NOTICE: Please note that the height measurement represents the radial depth, not the entire back plate

Alcon - PNF0084X305 ** / 306 ***



COMPOUND AVAILABILITY

DS3000 DS1.11 DS2.11

FRP3026



51.1mm=2.011"



51mm=2.007"



20mm=0.787"

IMPORTANT NOTICE: Please note that the height measurement represents the radial depth, not the entire back plate

Alcon - PNF4493X501 ** / 503 ****



COMPOUND AVAILABILITY

DS3000

FRP3027



176mm=6.929"



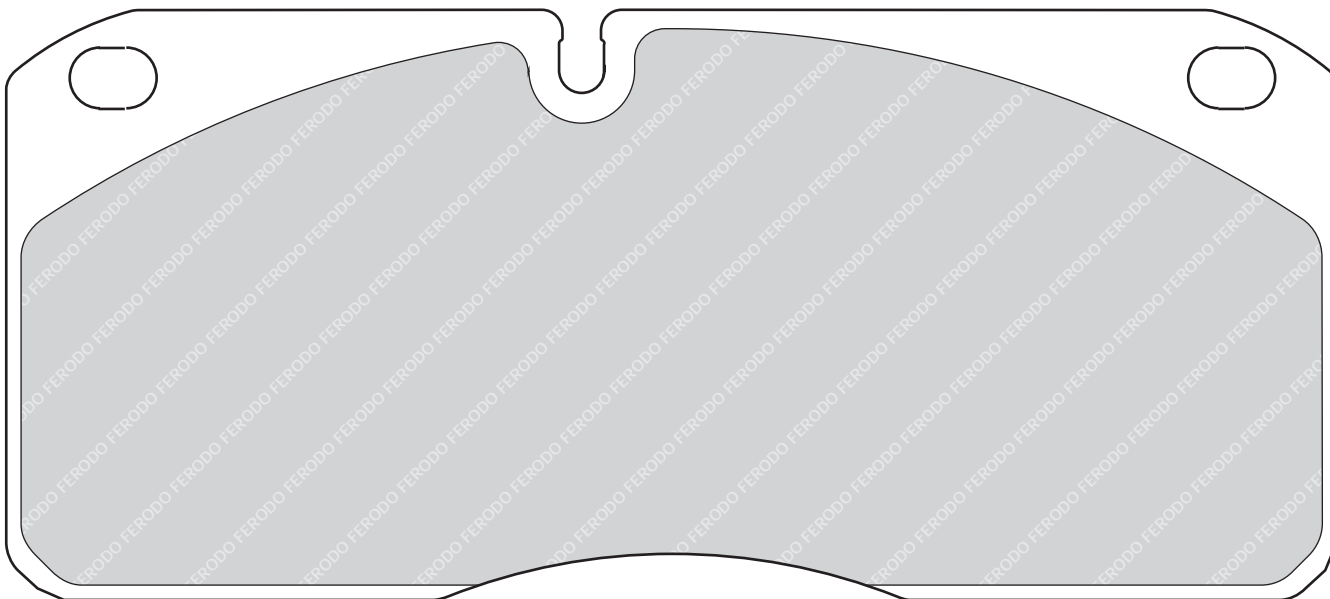
70mm=2.755"



18mm=0.708"

IMPORTANT NOTICE: Please note that the height measurement represents the radial depth, not the entire back plate

Alcon - PNF0084X222 **, truck pad, AP CP8310D70



COMPOUND AVAILABILITY

DS2500 DS3000 DS3000+03

FRP3028



131.8mm=5.188"



51.5mm=2.027"



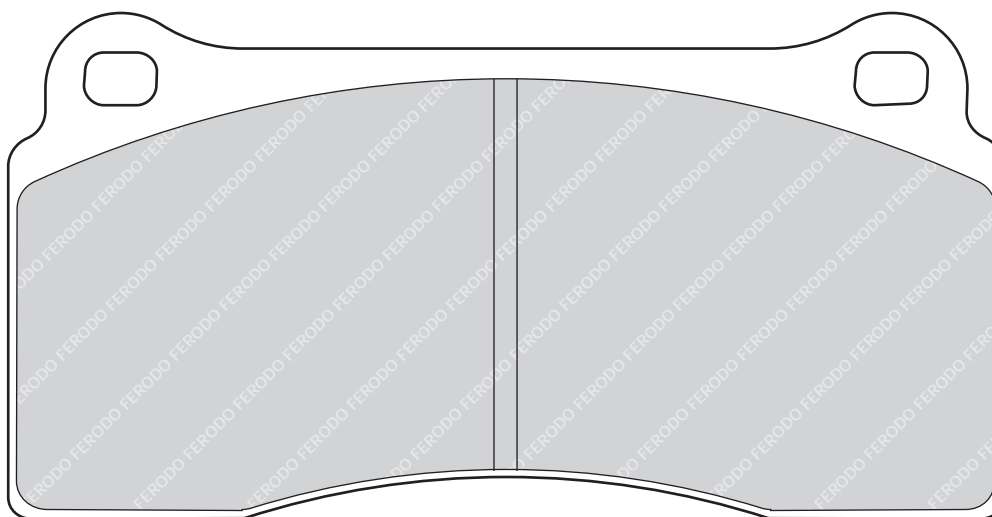
16mm=0.629"

IMPORTANT NOTICE: Please note that the height measurement represents the radial depth, not the entire back plate

Alcon - PNF0084X304 **, Brembo caliper X9.060.71

ALSO AVAILABLE:

| SHAPE | THICKNESS |
|---------|-----------|
| FCP1281 | 18,2mm |



COMPOUND AVAILABILITY

DS2500 DS3000 DS3000+03

FRP3029



139.8mm=5.503"



48mm=1.889"



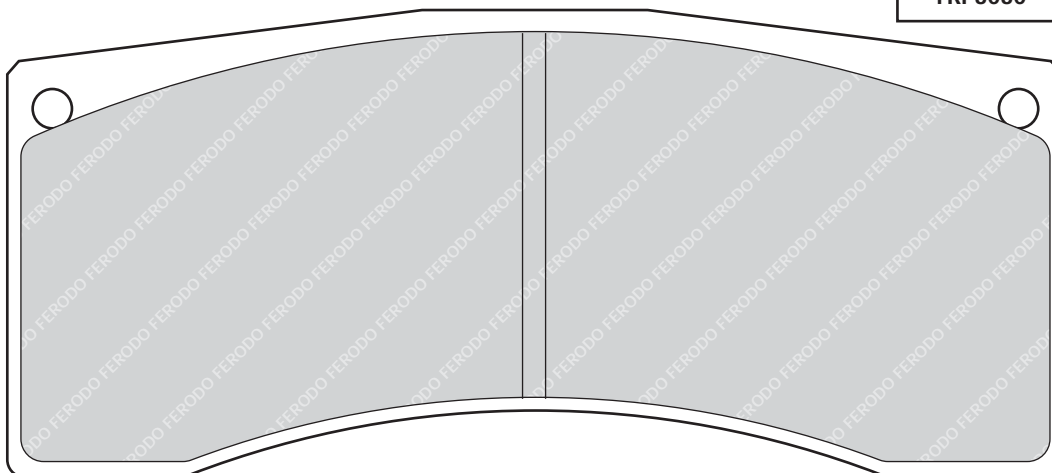
26mm=1.023"

IMPORTANT NOTICE: Please note that the height measurement represents the radial depth, not the entire back plate

Brembo - 07.7859.1, Brembo caliper X93.45.01, Wilwood caliper Integra IP

ALSO AVAILABLE:

| SHAPE | THICKNESS |
|---------|-----------|
| FRP3024 | 20mm |
| FRP3030 | 28mm |



COMPOUND AVAILABILITY

DS2500 DS3000 DS3000+03 DS1.11

FRP3030



139.8mm=5.503"



48mm=1.889"



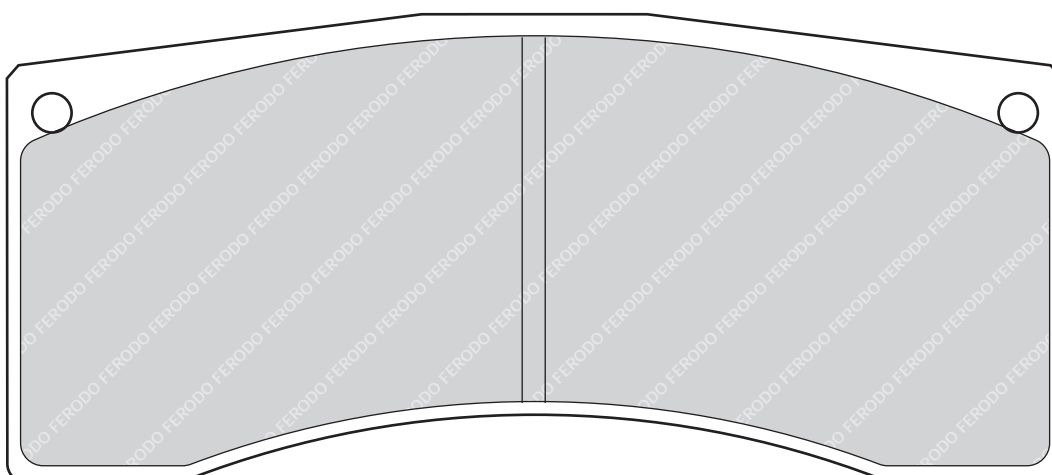
28mm=1.102"

IMPORTANT NOTICE: Please note that the height measurement represents the radial depth, not the entire back plate

Brembo - 07.7859.2

ALSO AVAILABLE:

| SHAPE | THICKNESS |
|---------|-----------|
| FRP3024 | 20mm |
| FRP3029 | 26mm |



COMPOUND AVAILABILITY

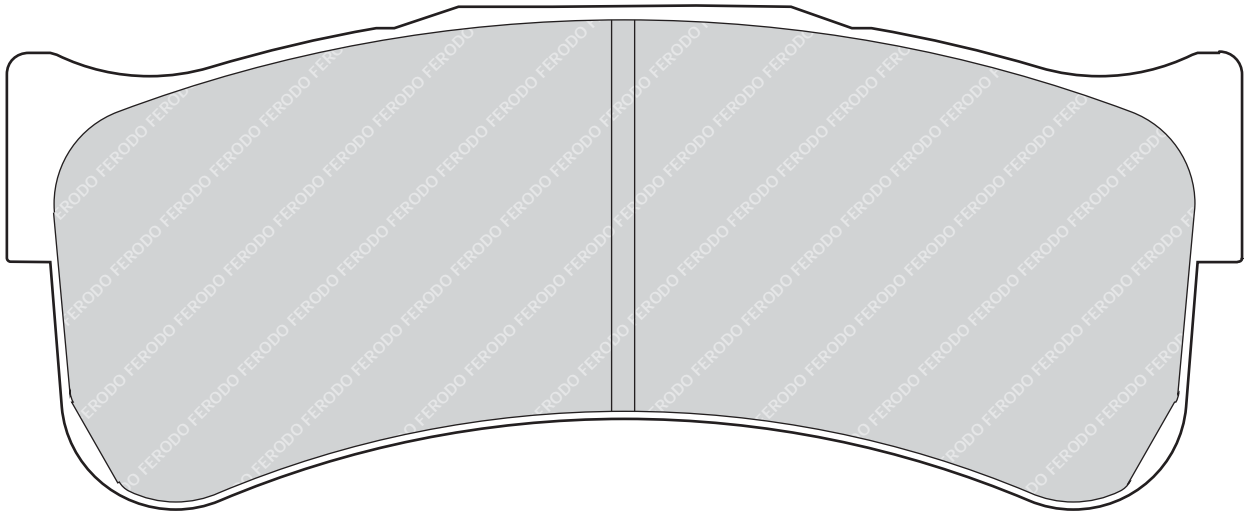
DS3000 DS3000+03

FRP3031



IMPORTANT NOTICE: Please note that the height measurement represents the radial depth, not the entire back plate

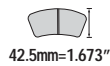
Brembo - 07.7293.6



COMPOUND AVAILABILITY

DS3000 DS3000+03 DS1.11 DS2.11

FRP3032

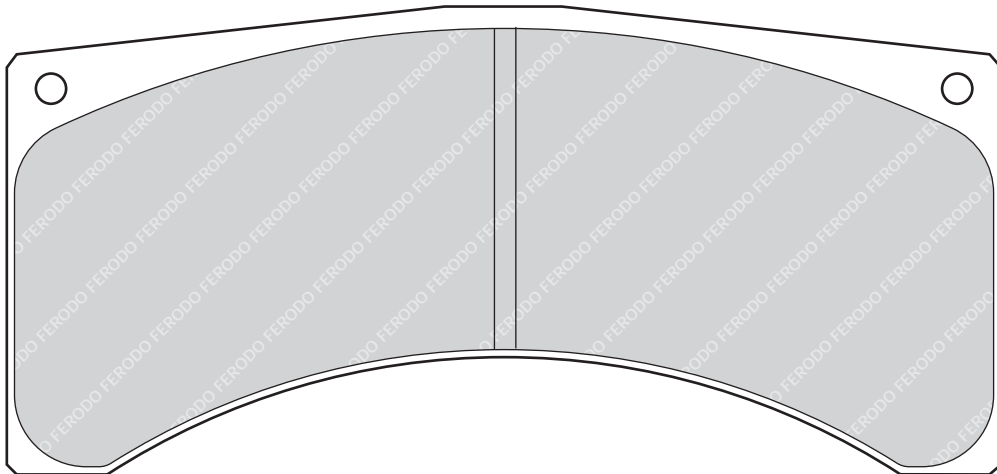


IMPORTANT NOTICE: Please note that the height measurement represents the radial depth, not the entire back plate

Brembo - 07.5139

ALSO AVAILABLE:

| SHAPE | THICKNESS |
|---------|-----------|
| FRP3070 | 18mm |



COMPOUND AVAILABILITY

DS3000 DS3000+03 DS2.11

FRP3033



79.8mm=3.141"



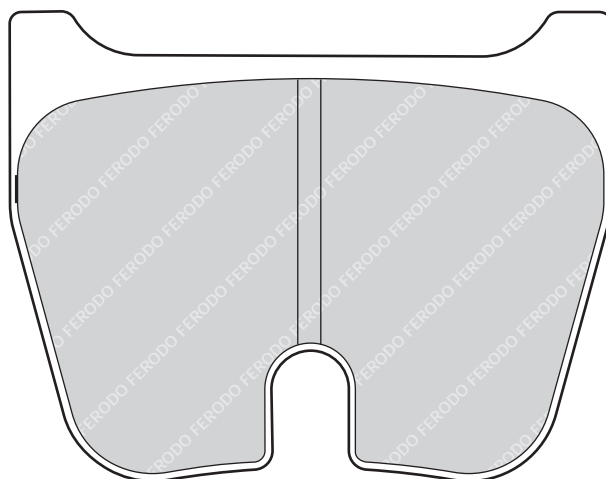
50.5mm=1.988"



21mm=0.826"

IMPORTANT NOTICE: Please note that the height measurement represents the radial depth, not the entire back plate

Brembo - 07.5684.8



ALSO AVAILABLE:

| SHAPE | THICKNESS |
|---------|-----------|
| FRP3022 | 20mm |
| FRP3023 | 17,5mm |

COMPOUND AVAILABILITY

DS3000

FRP3034



84.8mm=3.338"



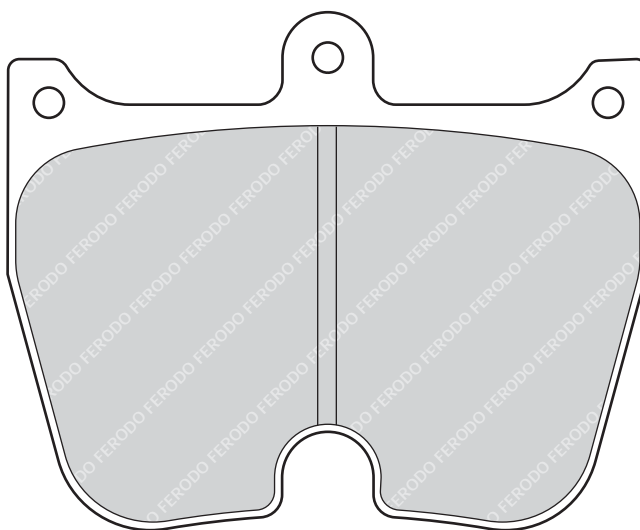
51.5mm=2.027"



21mm=0.826"

IMPORTANT NOTICE: Please note that the height measurement represents the radial depth, not the entire back plate

Brembo - 07.7810.2, Brembo caliper X94.44.11



ALSO AVAILABLE:

| SHAPE | THICKNESS |
|---------|-----------|
| FRP1059 | 22mm |
| FRP3004 | 20mm |
| FRP3045 | 18mm |

COMPOUND AVAILABILITY

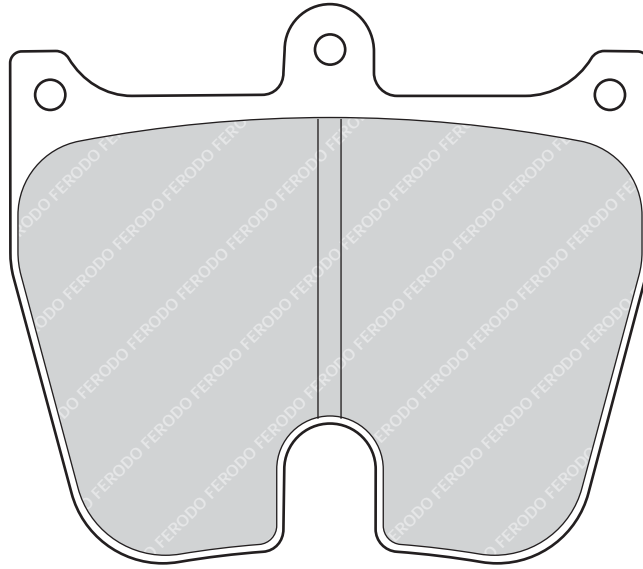
DS3000

FRP3035



IMPORTANT NOTICE: Please note that the height measurement represents the radial depth, not the entire back plate

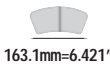
Brembo - 07.7810.1



COMPOUND AVAILABILITY

DS3000

FRP3037

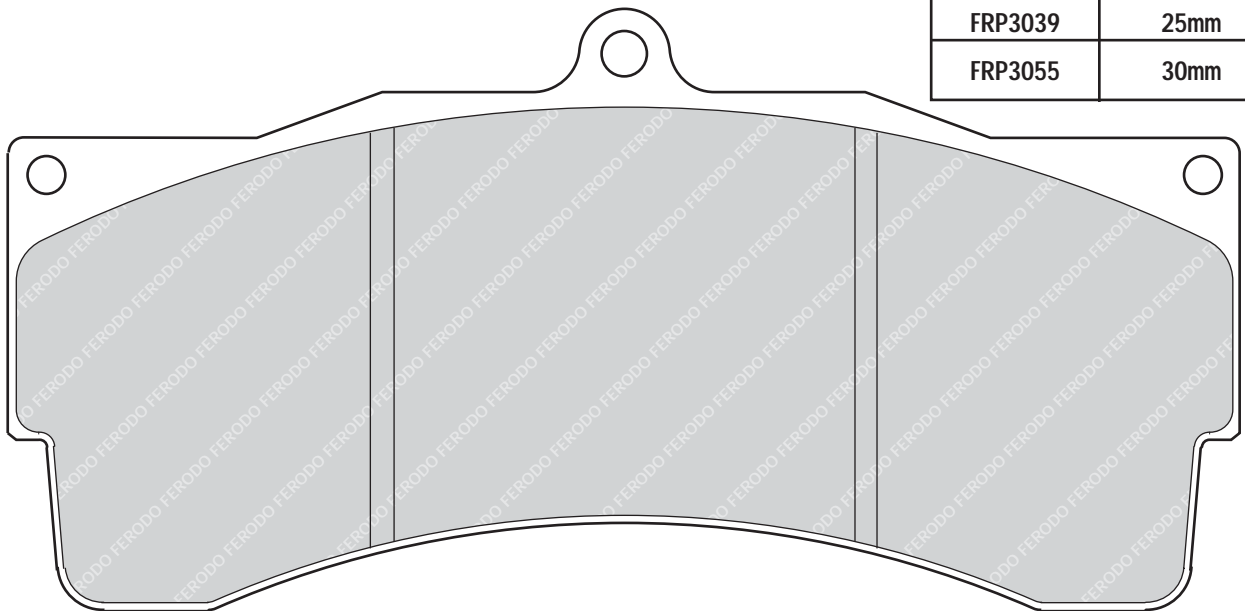


IMPORTANT NOTICE: Please note that the height measurement represents the radial depth, not the entire back plate

Alcon - PNF4495X504 ***, AP - 6210D54 (28 mm)

ALSO AVAILABLE:

| SHAPE | THICKNESS |
|---------|-----------|
| FRP3039 | 25mm |
| FRP3055 | 30mm |



COMPOUND AVAILABILITY

DS1.11

FRP3039



163.1mm=6.421"



54mm=2.125"



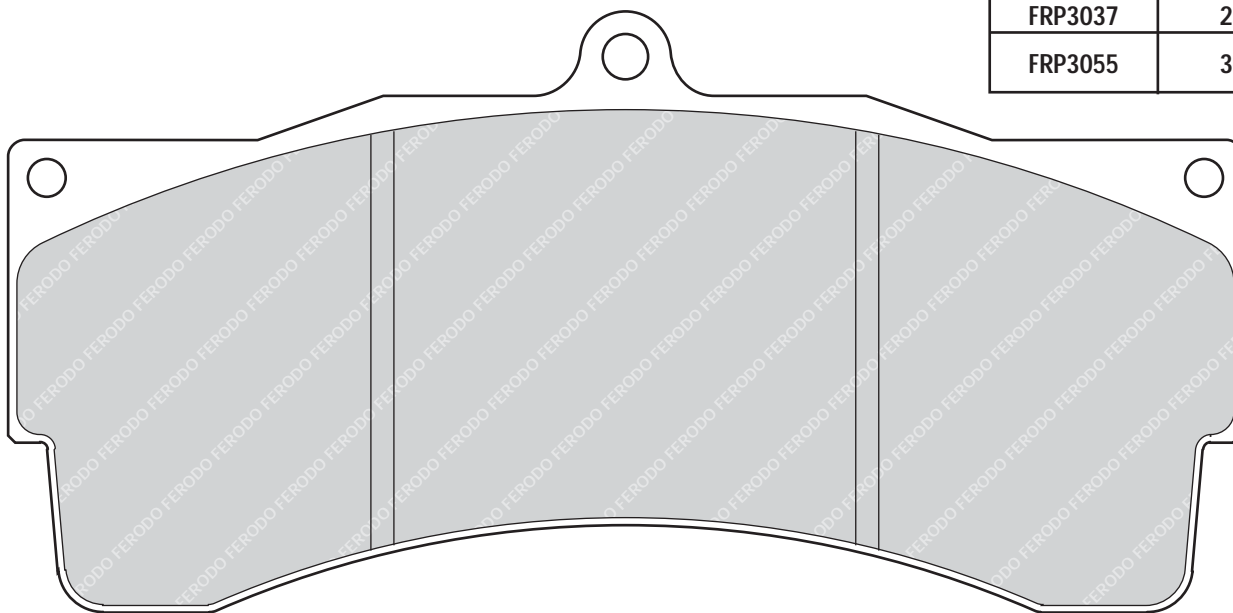
25mm=0.984"

IMPORTANT NOTICE: Please note that the height measurement represents the radial depth, not the entire back plate

Alcon - PNF4495X501 ** / 505 *** , Alcon caliper TA6+ type 0.790 (20mm), AP - CP6230D54 (25 mm)

ALSO AVAILABLE:

| SHAPE | THICKNESS |
|---------|-----------|
| FRP3037 | 28mm |
| FRP3055 | 30mm |



COMPOUND AVAILABILITY

DS3000 DS3000+03 DS1.11 DS2.11

FRP3040



163.9mm=6.452"



62mm=2.440"



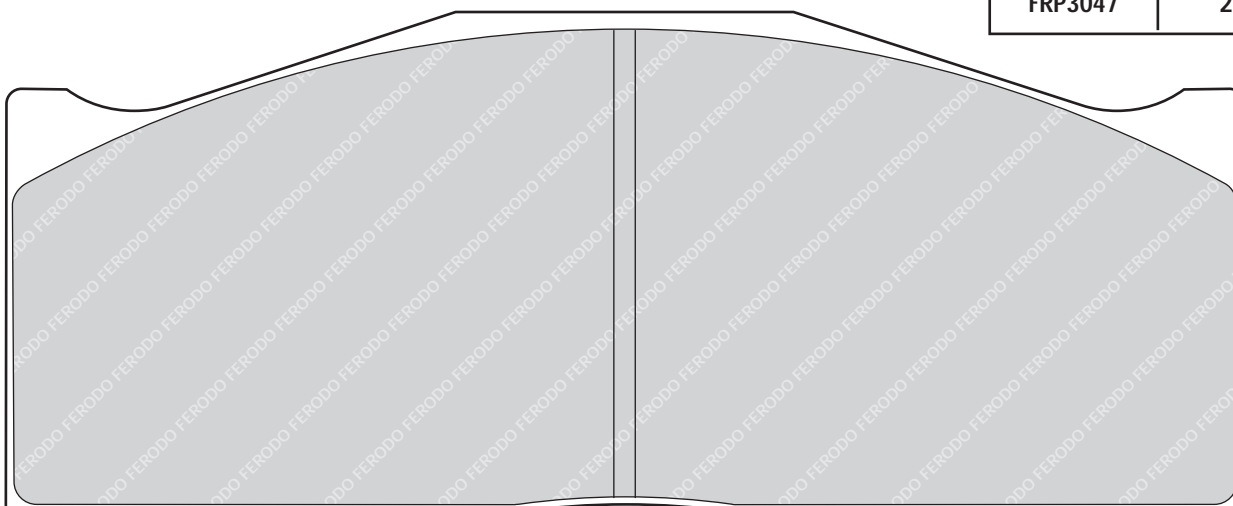
30mm=1.181"

IMPORTANT NOTICE: Please note that the height measurement represents the radial depth, not the entire back plate

AP caliper CP5820 / SC680, Brembo - 07.7614.2

ALSO AVAILABLE:

| SHAPE | THICKNESS |
|---------|-----------|
| FRP3047 | 22mm |



COMPOUND AVAILABILITY

DS3000 DS3000+03 DS1.11

FRP3042



131.8mm=5.188"



66mm=2.598"



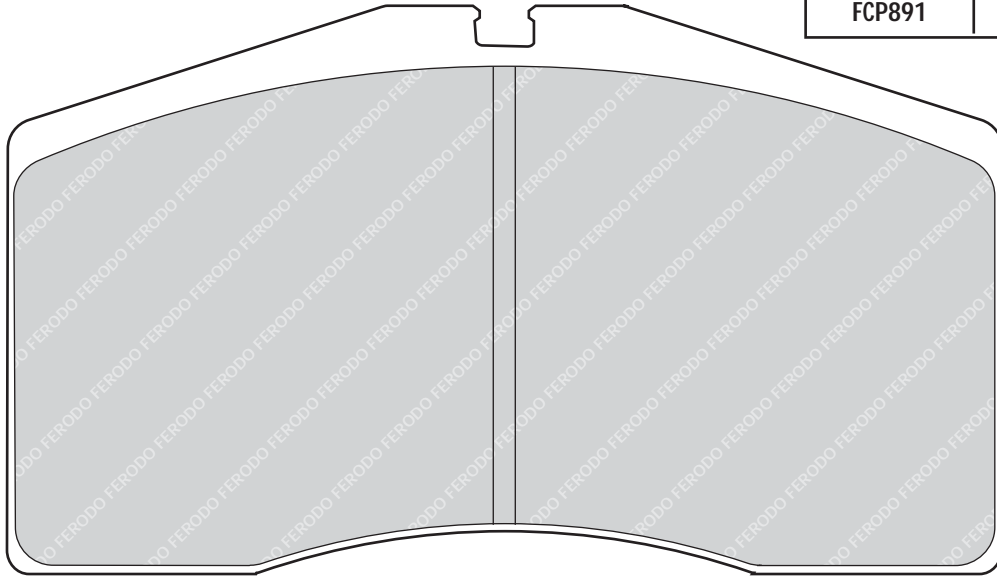
26.5mm=1.043"

IMPORTANT NOTICE: Please note that the height measurement represents the radial depth, not the entire back plate

Brembo - 07.5308.9, Porsche 993 GT3 - Front

ALSO AVAILABLE:

| SHAPE | THICKNESS |
|--------|-----------|
| FCP891 | 17,5mm |



COMPOUND AVAILABILITY

DS3000 DS1.11 DS2.11

FRP3043



132.1mm=5.200"



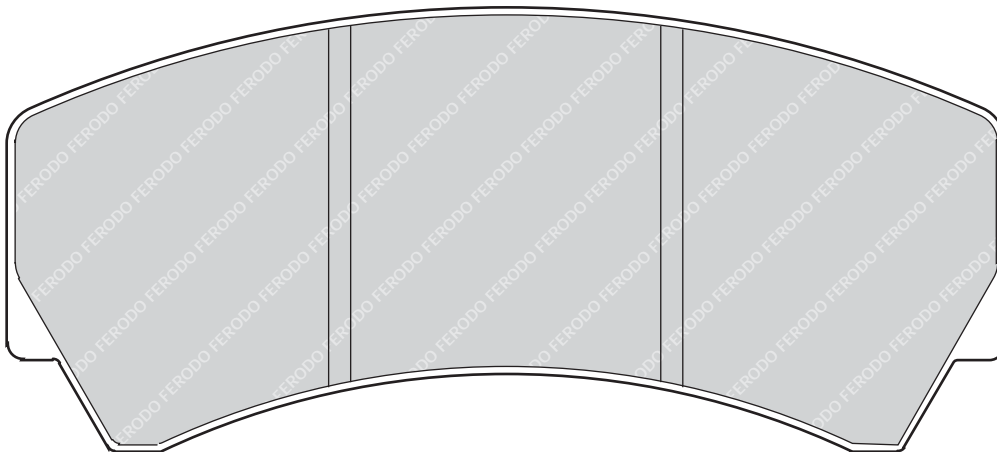
46.5mm=1.830"



17mm=0.669"

IMPORTANT NOTICE: Please note that the height measurement represents the radial depth, not the entire back plate

Alcon - PNF3430X275 **



COMPOUND AVAILABILITY

DS3000 DS3000+03 DS2.11

FRP3044



51.1mm=2.011"



46mm=1.811"



18mm=0.708"

IMPORTANT NOTICE: Please note that the height measurement represents the radial depth, not the entire back plate

Alcon - PNF4493X603 **



COMPOUND AVAILABILITY

DS3000 DS3000+03 DS2.11

FRP3045



84.8mm=3.338"



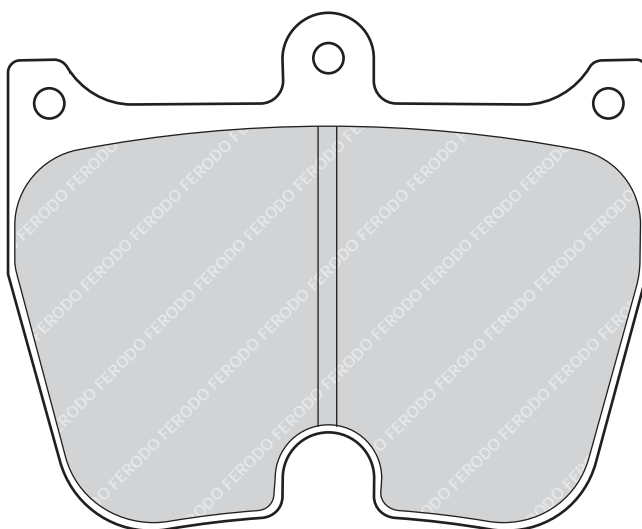
51.5mm=2.027"



18mm=0.708"

IMPORTANT NOTICE: Please note that the height measurement represents the radial depth, not the entire back plate

Brembo - 07.7810.3



COMPOUND AVAILABILITY

DS3000 DS3000+03

ALSO AVAILABLE:

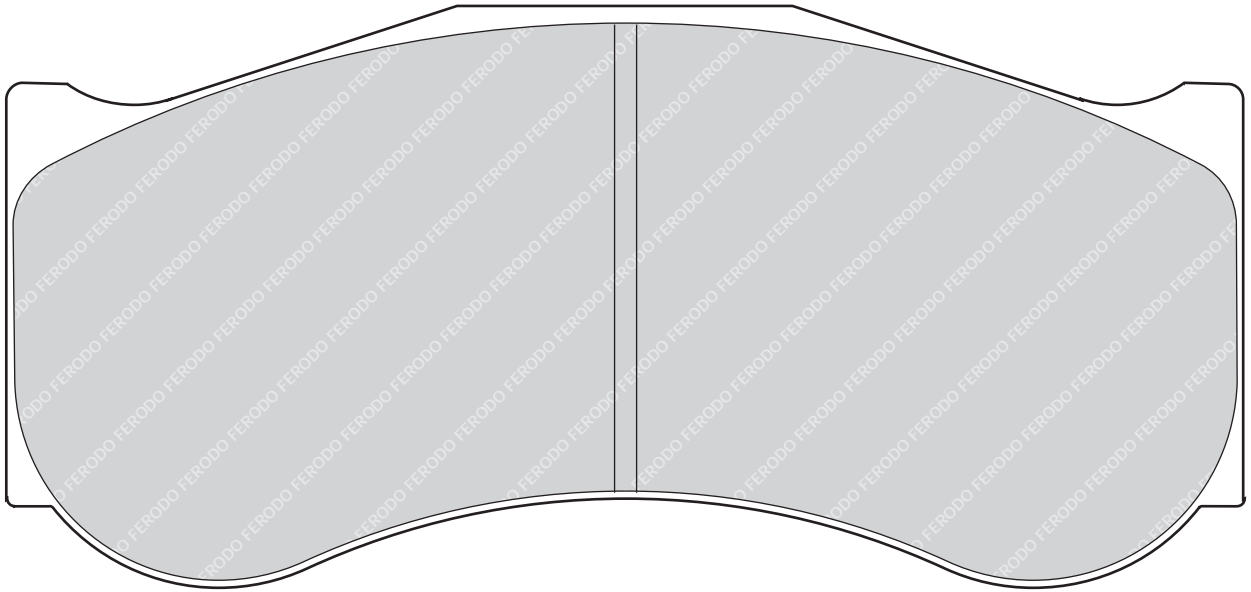
| SHAPE | THICKNESS |
|---------|-----------|
| FRP1059 | 22mm |
| FRP3004 | 20mm |
| FRP3034 | 21mm |

FRP3046



IMPORTANT NOTICE: Please note that the height measurement represents the radial depth, not the entire back plate

Brembo - 07.7614.3



COMPOUND AVAILABILITY

DS1.11

FRP3047

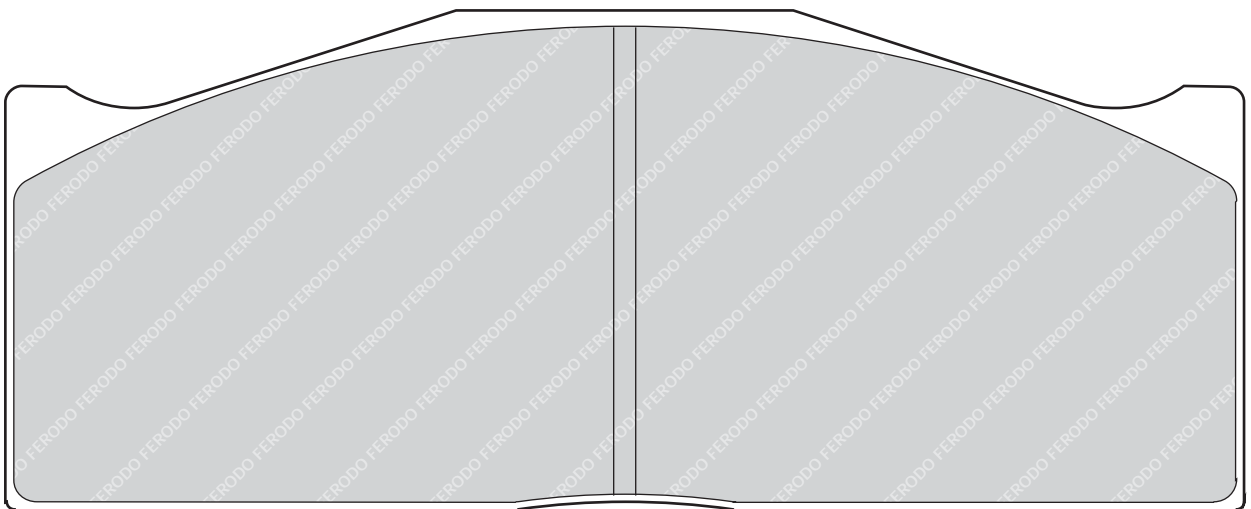


IMPORTANT NOTICE: Please note that the height measurement represents the radial depth, not the entire back plate

Brembo - 07.7614.5

ALSO AVAILABLE:

| SHAPE | THICKNESS |
|---------|-----------|
| FRP3040 | 30mm |



COMPOUND AVAILABILITY

DS3000 DS3000+03 DS2.11

FRP3050



140mm=5.511"



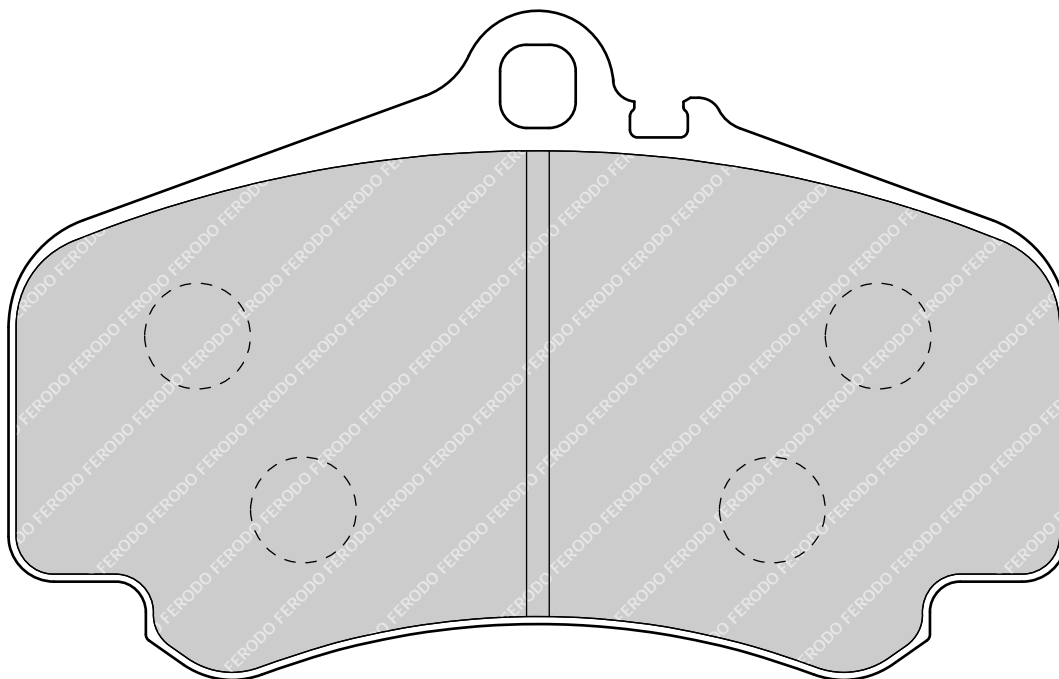
59mm=2.322"



17mm=0.669"

IMPORTANT NOTICE: Please note that the height measurement represents the radial depth, not the entire back plate

Lamborghini - Front, Porsche 996 - Front



COMPOUND AVAILABILITY

DS2500 DS3000 DS3000 End DS1.11

FRP3051



121mm=4.763"



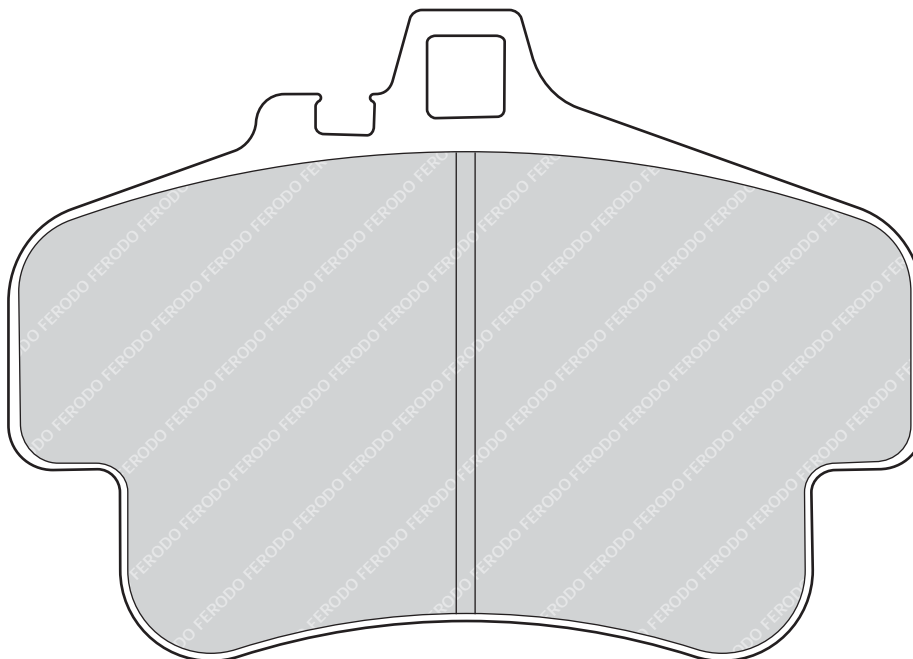
62mm=2.440"



16.8mm=0.661"

IMPORTANT NOTICE: Please note that the height measurement represents the radial depth, not the entire back plate

Porsche 996 - Rear



COMPOUND AVAILABILITY

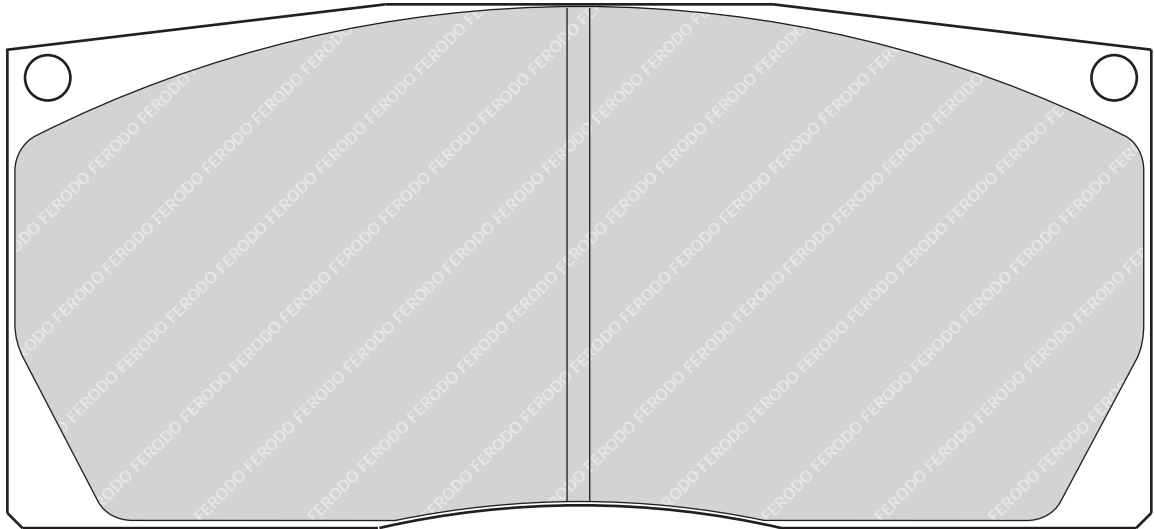
DS2500 DS3000 DS3000 End DS1.11 DS2.11

FRP3052



IMPORTANT NOTICE: Please note that the height measurement represents the radial depth, not the entire back plate

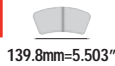
Alcon - PNF4464X605 **, Alcon caliper XT type 1.180 (30mm), Wilwood caliper Prolite



COMPOUND AVAILABILITY

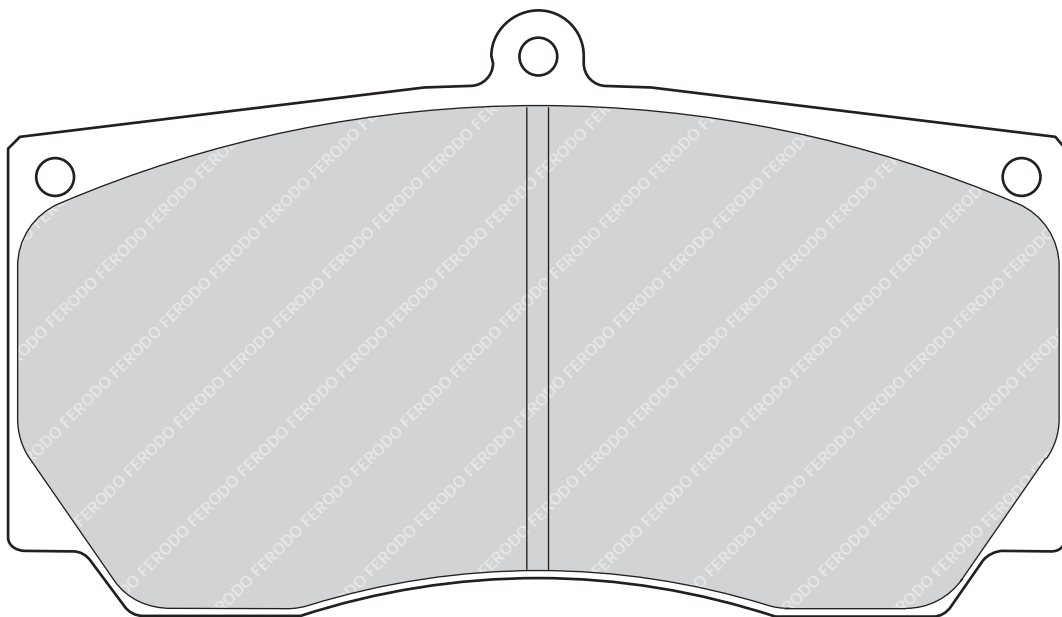
DS1.11

FRP3053



IMPORTANT NOTICE: Please note that the height measurement represents the radial depth, not the entire back plate

Brembo - 07.6955.3, Brembo caliper X93.45.11, Wilwood caliper Integra HP



COMPOUND AVAILABILITY

DS3000 DS1.11

FRP3054



152mm=5.984"



51mm=2.007"



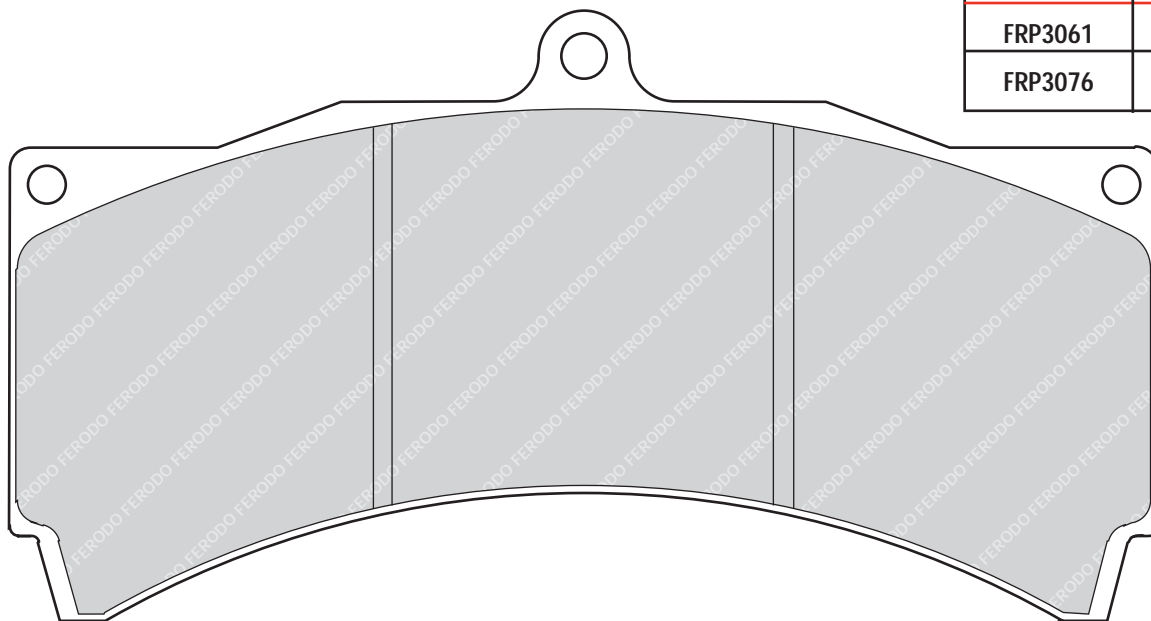
18mm=0.708"

IMPORTANT NOTICE: Please note that the height measurement represents the radial depth, not the entire back plate

AP - CP3894D51 (18 mm), AP caliper CP5555

ALSO AVAILABLE:

| SHAPE | THICKNESS |
|---------|-----------|
| FRP3061 | 25mm |
| FRP3076 | 17mm |



COMPOUND AVAILABILITY

DS2500 DS3000 DS3000+03 DS3000 End DS1.11 DS2.11

FRP3055



163.1mm=6.421"



54mm=2.125"



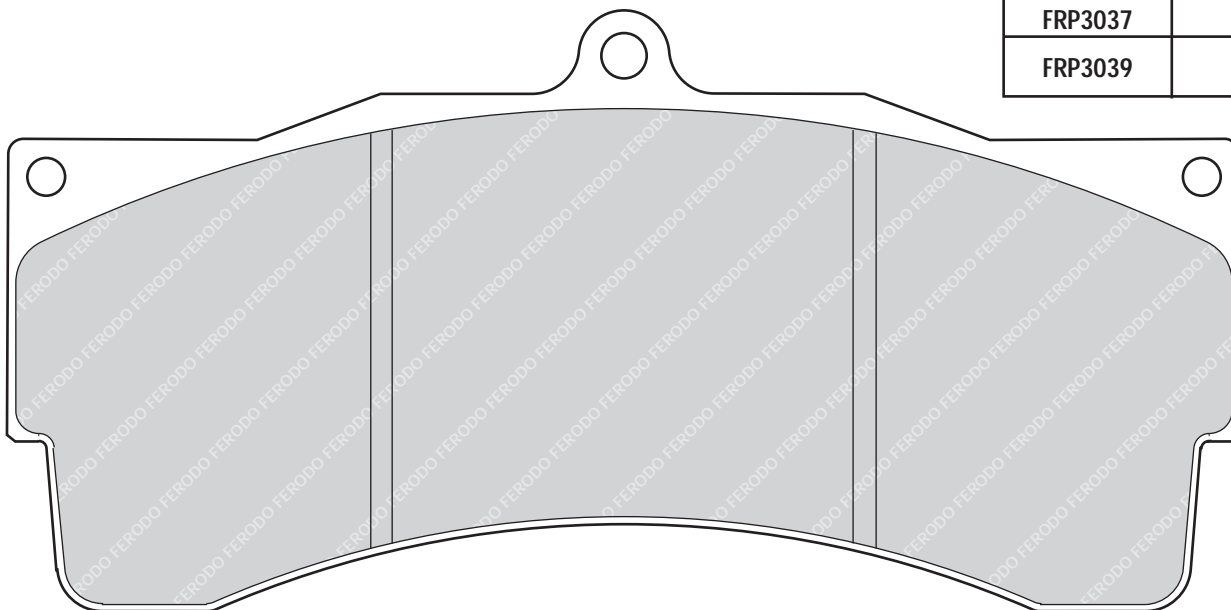
30mm=1.181"

IMPORTANT NOTICE: Please note that the height measurement represents the radial depth, not the entire back plate

AP - CP6210D54 (30 mm)

ALSO AVAILABLE:

| SHAPE | THICKNESS |
|---------|-----------|
| FRP3037 | 28mm |
| FRP3039 | 25mm |



COMPOUND AVAILABILITY

DS3000 DS3000+03 DS1.11 DS2.11

FRP3056



77.5mm=3.051"



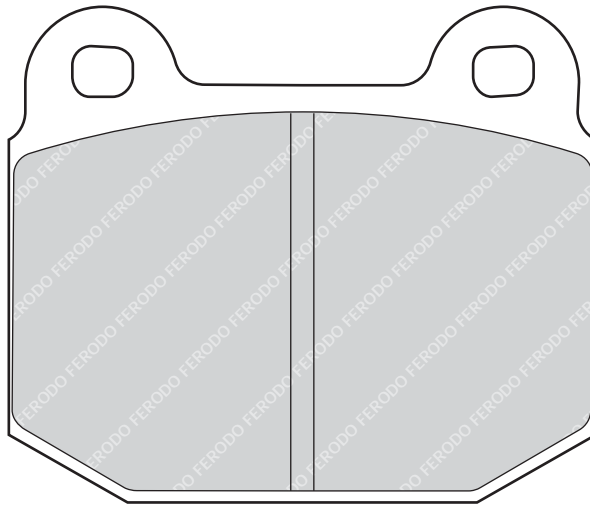
50.1mm=1.972"



15mm=0.590"

IMPORTANT NOTICE: Please note that the height measurement represents the radial depth, not the entire back plate

AP - CP5119D50



COMPOUND AVAILABILITY

4003 DS3000 DS1.11

FRP3057



181/195mm=7.126/7.68"



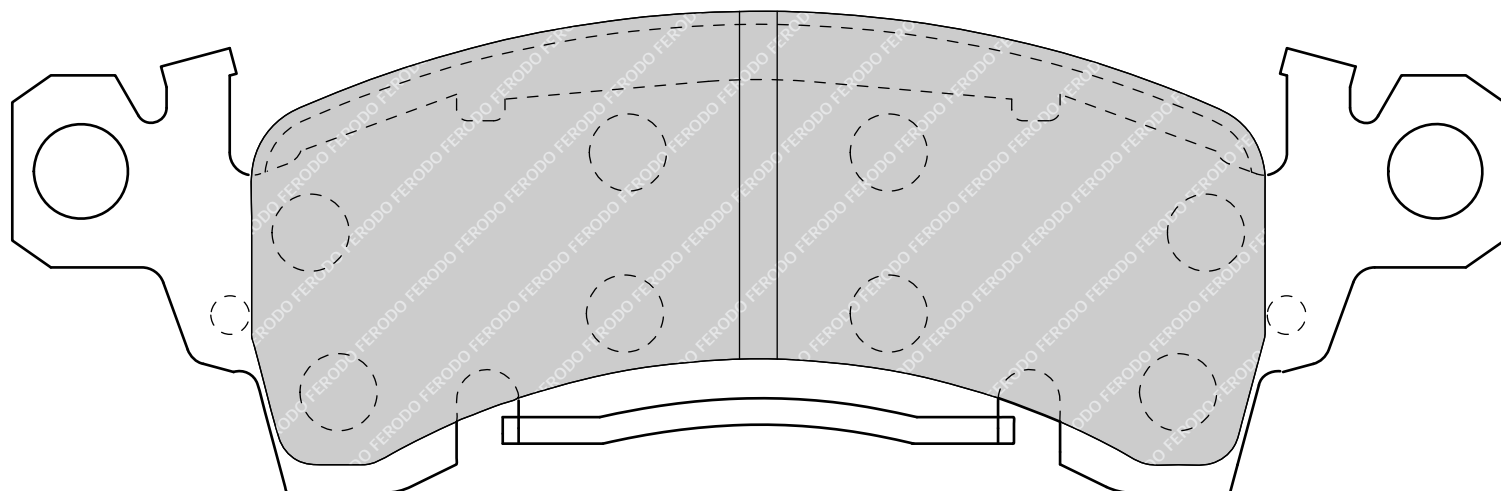
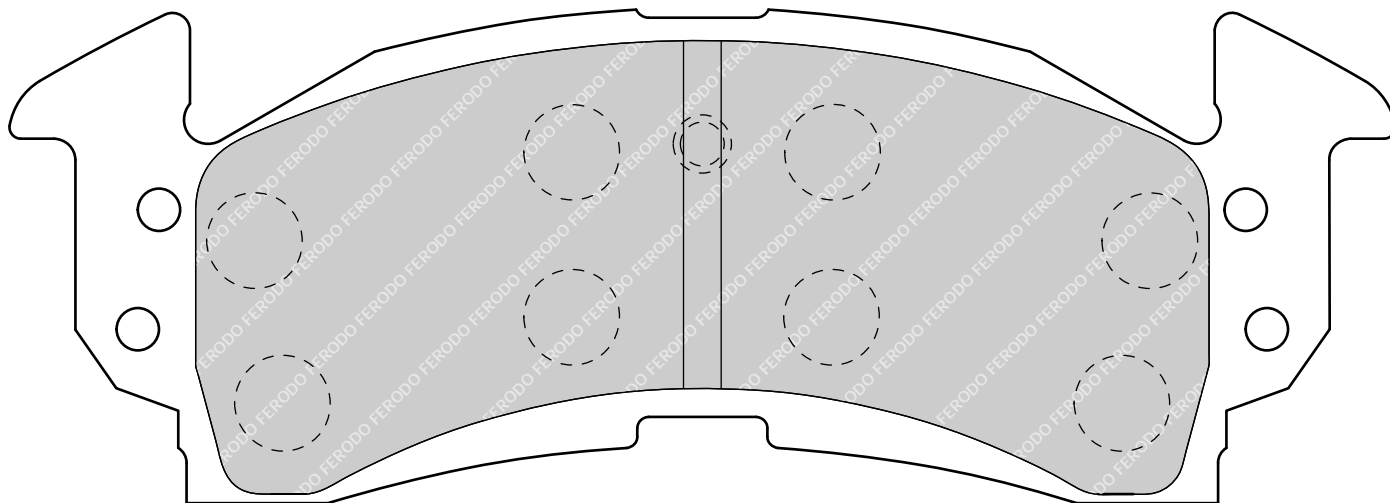
44mm=1.732"



16/13.6mm=0.591/0.535"

IMPORTANT NOTICE: Please note that the height measurement represents the radial depth, not the entire back plate

Buick - Front and Rear, Cadillac, Chevrolet, Jeep, Oldsmobile, Pontiac - Front, Coleman caliper GM type, Howe caliper GM type, JFZ / Sierra caliper GM type, Wilwood caliper GM II, GM III



COMPOUND AVAILABILITY

DS2500 DS3000 DS1.11

FRP3058



152mm=5.984"



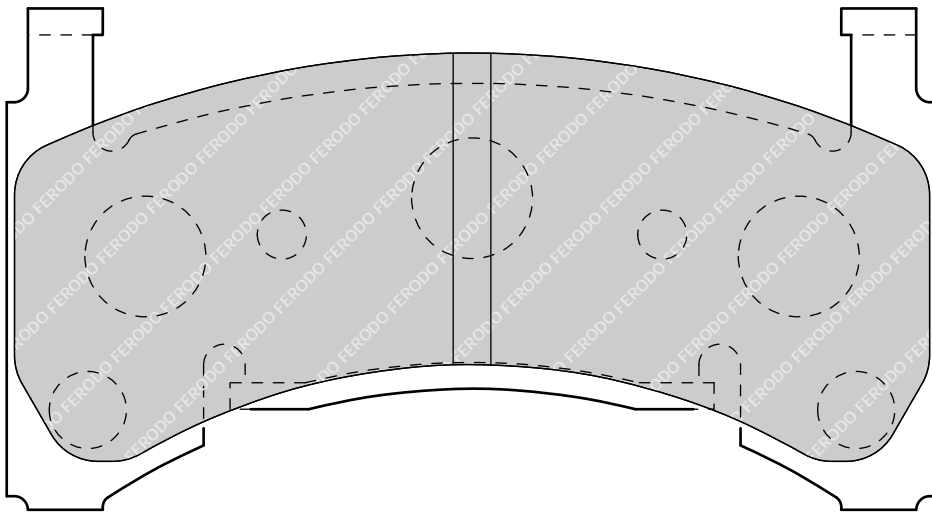
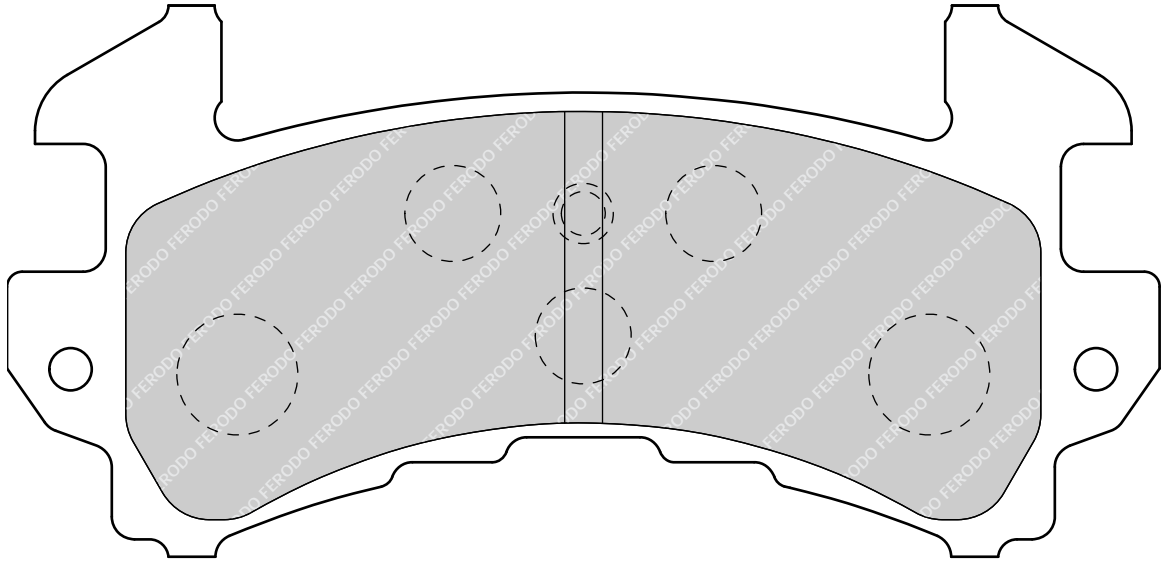
41mm=1.614"



14mm=0.551"

IMPORTANT NOTICE: Please note that the height measurement represents the radial depth, not the entire back plate

Chevrolet, Pontiac - Front and Rear



COMPOUND AVAILABILITY

DS2500 DS3000

FRP3059



130mm=5.118"

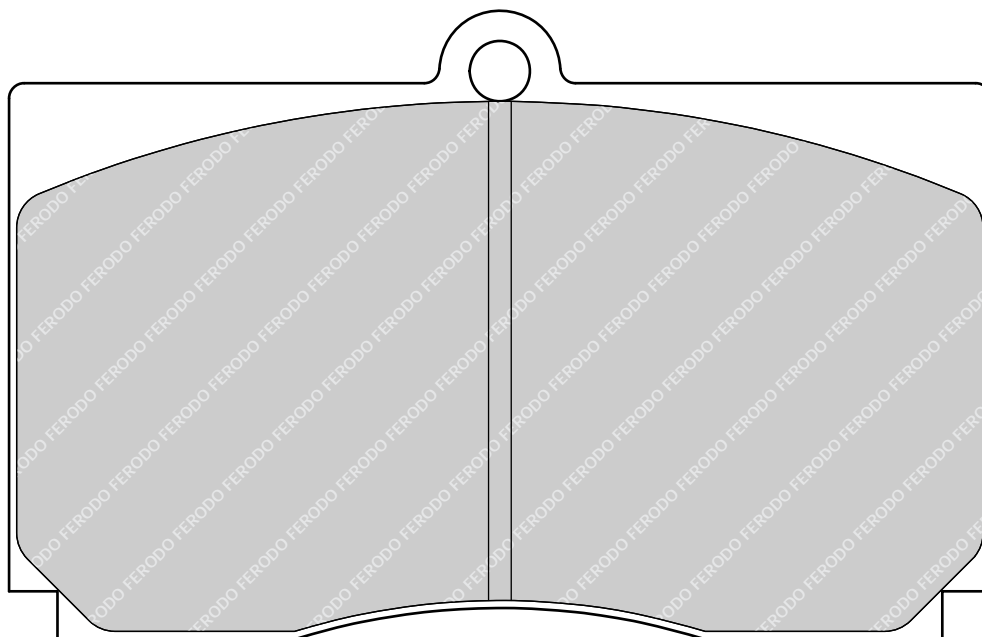


66mm=2.598"



28mm=1.102"

IMPORTANT NOTICE: Please note that the height measurement represents the radial depth, not the entire back plate
Alcon caliper F type 1.120 (28mm), AP - CP2749D66 (28 mm), AP caliper SC500, Outlaw caliper type 9000, Wilwood caliper GT III, GT 6000



COMPOUND AVAILABILITY

DS3000 DS1.11

FRP3060



130mm=5.118"

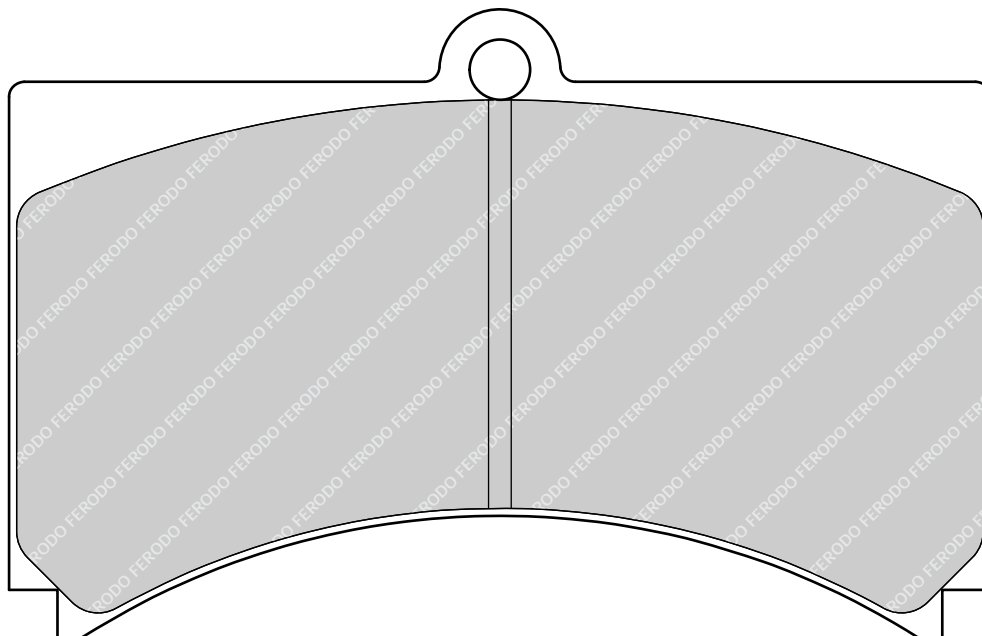


54mm=2.125"



28mm=1.102"

IMPORTANT NOTICE: Please note that the height measurement represents the radial depth, not the entire back plate
Alcon caliper XF scalloped type 1.120 (28mm), AP - CP2749D55 (28 mm), Wilwood caliper GT III radius, GT 6000 radius



COMPOUND AVAILABILITY

DS3000 DS1.11

FRP3061



152mm=5.984"



51mm=2.007"



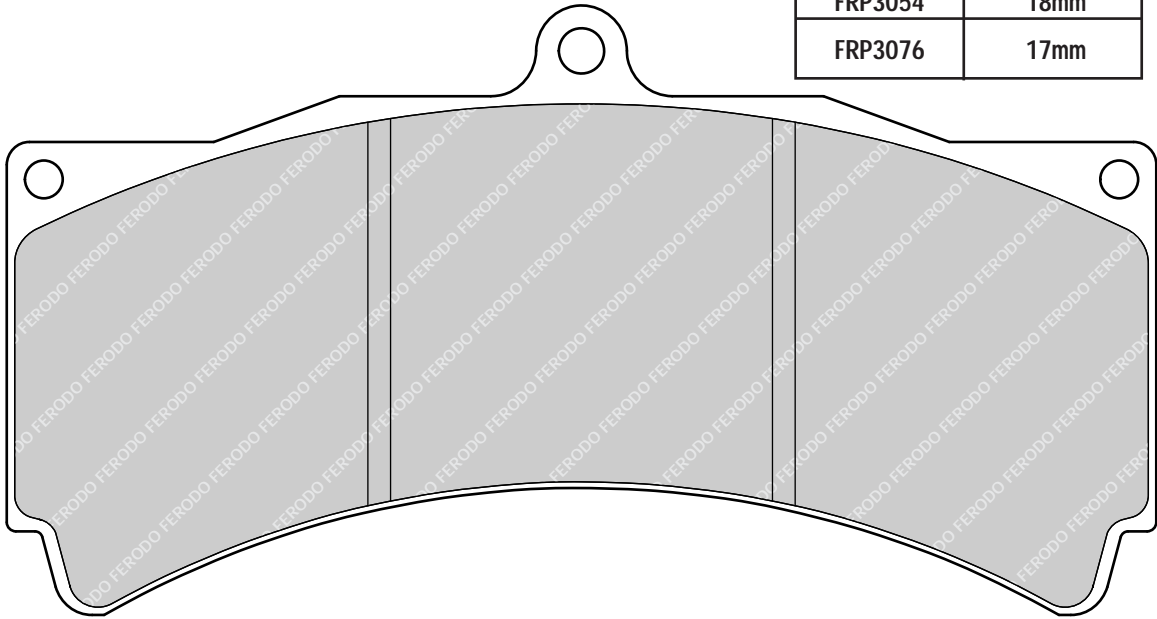
25mm=0.984"

IMPORTANT NOTICE: Please note that the height measurement represents the radial depth, not the entire back plate

AP - CP3558D51

ALSO AVAILABLE:

| SHAPE | THICKNESS |
|---------|-----------|
| FRP3054 | 18mm |
| FRP3076 | 17mm |



COMPOUND AVAILABILITY

DS3000 DS1.11 DS2.11

FRP3062



148.8mm=5.858"



50.5mm=1.988"



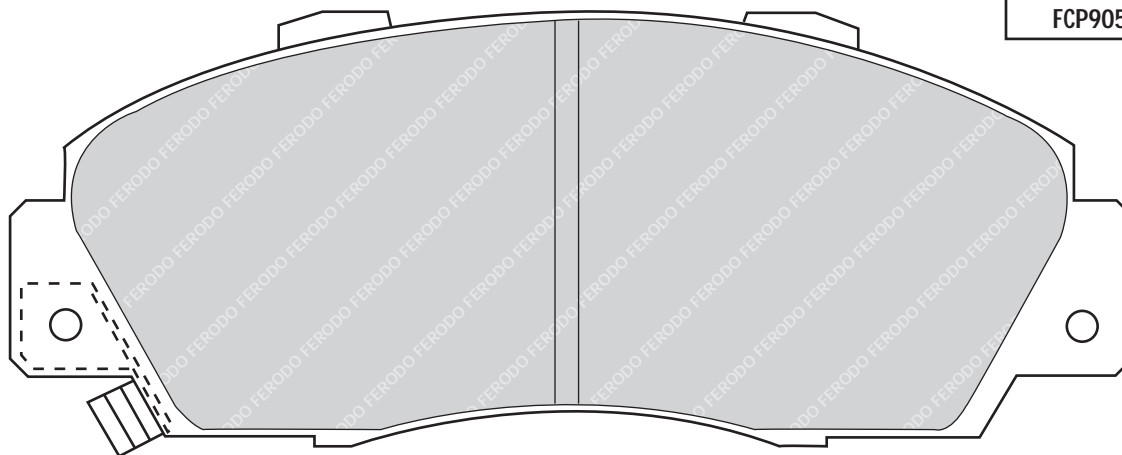
19.5mm=0.767"

IMPORTANT NOTICE: Please note that the height measurement represents the radial depth, not the entire back plate

As FCP905, but thickness 19,5 mm

ALSO AVAILABLE:

| SHAPE | THICKNESS |
|--------|-----------|
| FCP905 | 18,5mm |



COMPOUND AVAILABILITY

DS3000 End

FRP3063



123mm=4.842"



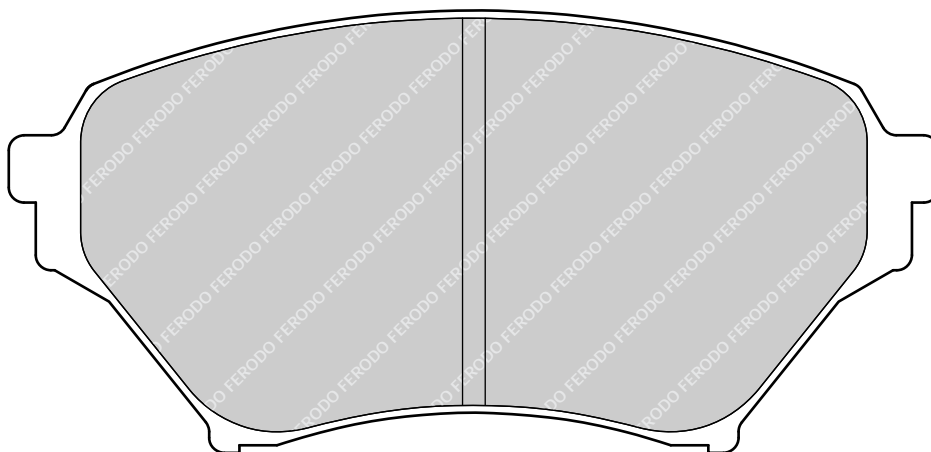
50mm=1.968"



15.3mm=0.602"

IMPORTANT NOTICE: Please note that the height measurement represents the radial depth, not the entire back plate

Mazda MX5 cup - Front



COMPOUND AVAILABILITY

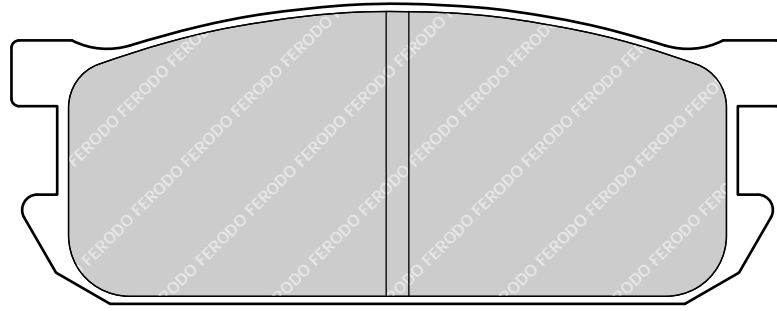
DS2500 DS3000

FRP3064



IMPORTANT NOTICE: Please note that the height measurement represents the radial depth, not the entire back plate

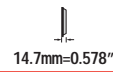
Mazda MX5 cup - Rear



COMPOUND AVAILABILITY

DS2500

FRP3067

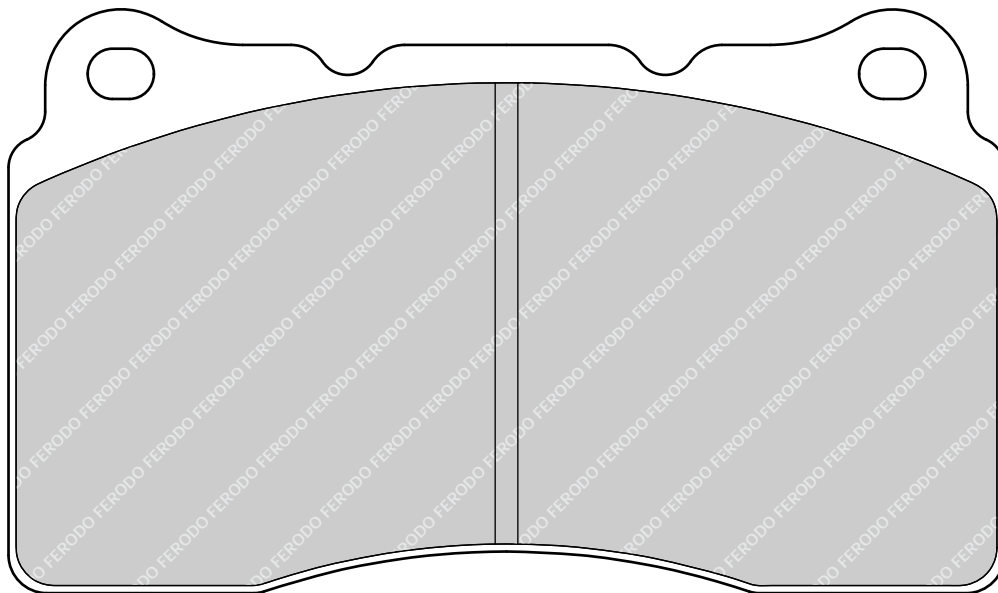


IMPORTANT NOTICE: Please note that the height measurement represents the radial depth, not the entire back plate

Subaru Impreza STI version 7, WRX - Front

ALSO AVAILABLE:

| SHAPE | THICKNESS |
|---------|-----------|
| FCP1334 | 16mm |



COMPOUND AVAILABILITY

DS2500 DS3000 DS3000+03 DS1.11 DS2.11

FRP3068



131.8mm=5.188"



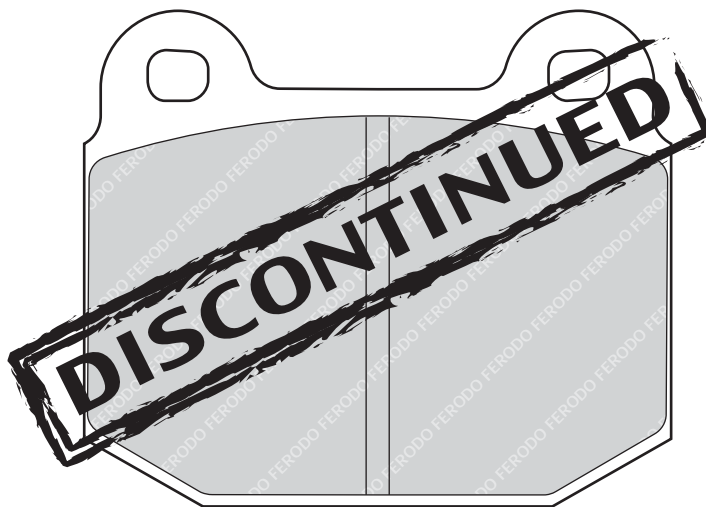
62mm=2.440"



14.7mm=0.578"

IMPORTANT NOTICE: Please note that the height measurement represents the radial depth, not the entire back plate

See FCP1562



COMPOUND AVAILABILITY

DS2500 DS3000 DS3000+03

FRP3069



97.9mm=3.854"



50.8mm=2"



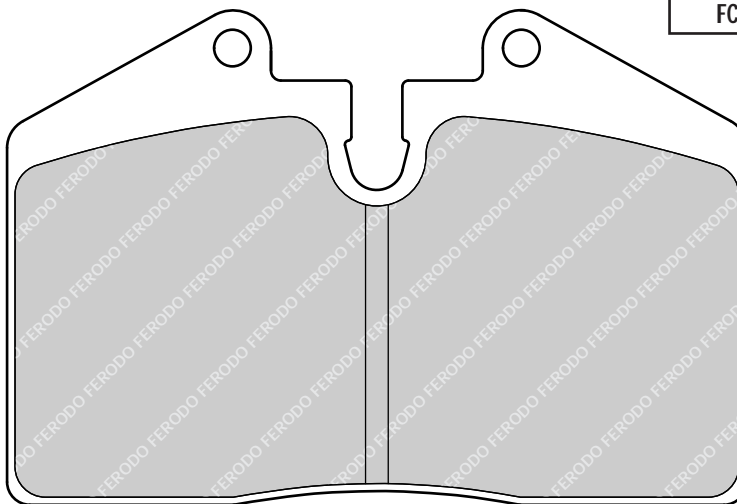
16mm=0.629"

IMPORTANT NOTICE: Please note that the height measurement represents the radial depth, not the entire back plate

Alcon

ALSO AVAILABLE:

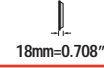
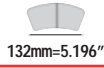
| SHAPE | THICKNESS |
|--------|-----------|
| FCP451 | 18mm |



COMPOUND AVAILABILITY

DS2500 DS3000

FRP3070

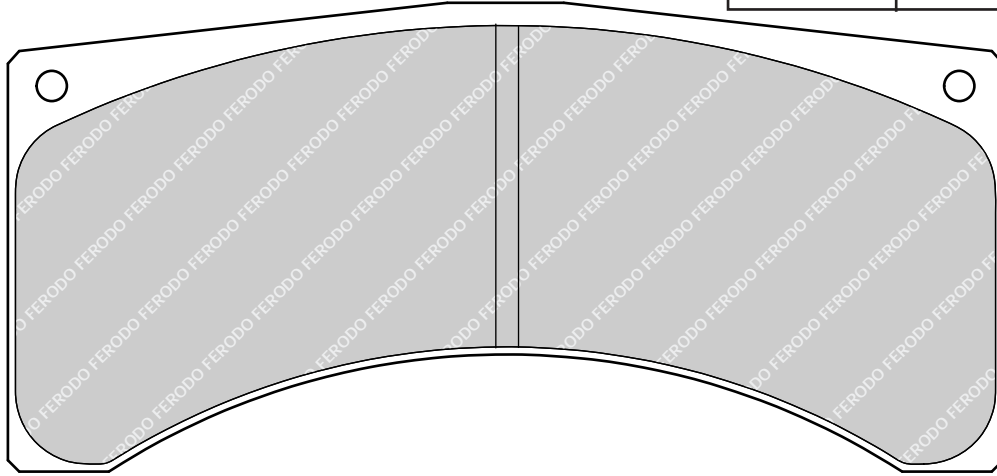


IMPORTANT NOTICE: Please note that the height measurement represents the radial depth, not the entire back plate

Brembo - 07.7869.12, Brembo caliper X2.046.01, Coleman caliper Series III, Wilwood caliper GT 4000

ALSO AVAILABLE:

| SHAPE | THICKNESS |
|---------|-----------|
| FRP3032 | 16mm |



COMPOUND AVAILABILITY

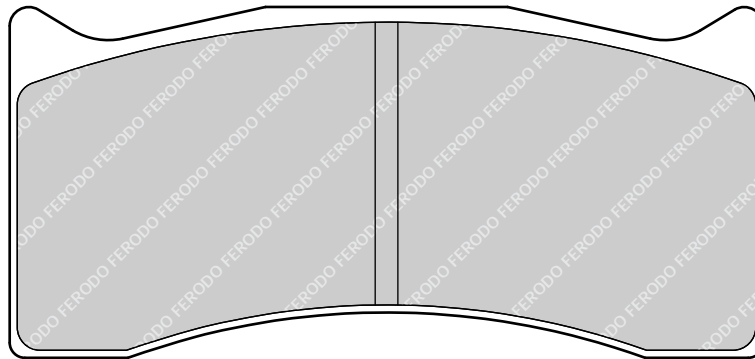
DS3000 DS3000+03 DS1.11 DS2.11

FRP3071



IMPORTANT NOTICE: Please note that the height measurement represents the radial depth, not the entire back plate

Brembo



COMPOUND AVAILABILITY

4003 DS3000 DS3000 End DS1.11 DS2.11

FRP3072



132.4mm=5.212"



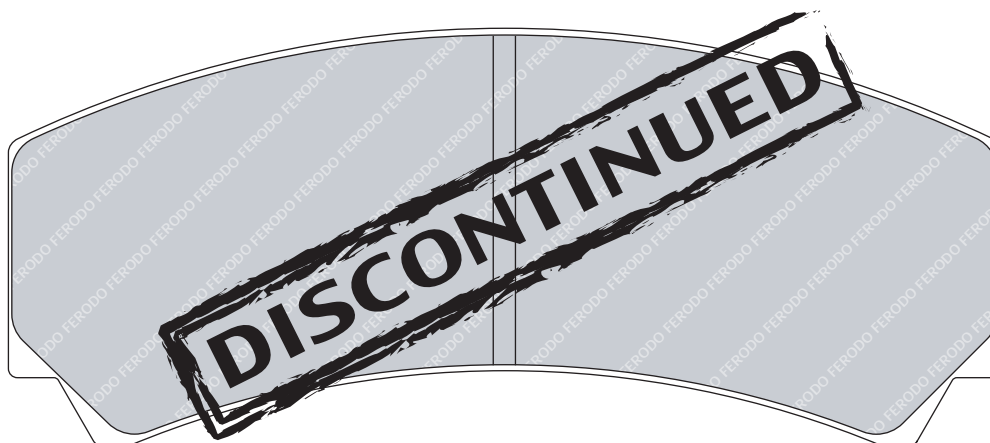
43.8mm=1.724"



16.75mm=0.659"

IMPORTANT NOTICE: Please note that the height measurement represents the radial depth, not the entire back plate

See FRP3091



COMPOUND AVAILABILITY

DS3000 DS3000+03

FRP3073



132.4mm=5.212"



42mm=1.653"



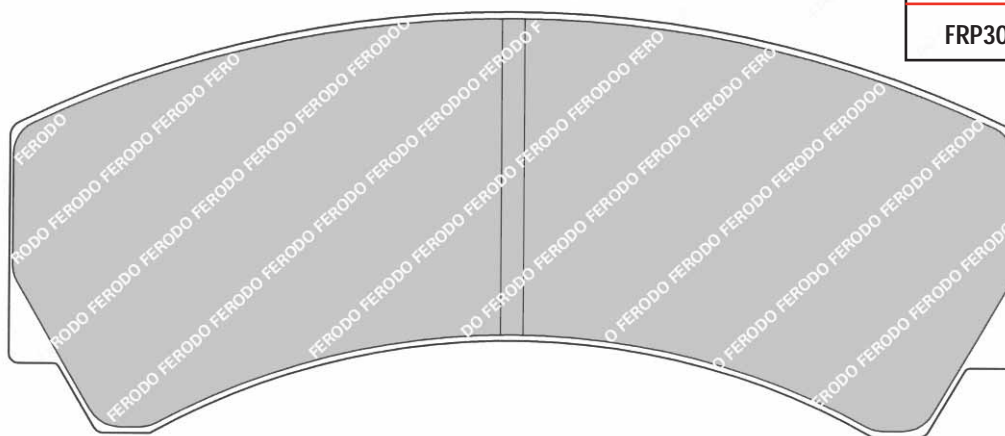
20.3mm=0.799"

IMPORTANT NOTICE: Please note that the height measurement represents the radial depth, not the entire back plate

AP - CP2279D42

ALSO AVAILABLE:

| SHAPE | THICKNESS |
|---------|-----------|
| FRP3018 | 16,7mm |



COMPOUND AVAILABILITY

DS3000 DS3000+03 DS1.11

FRP3074



58.1mm=2.287"



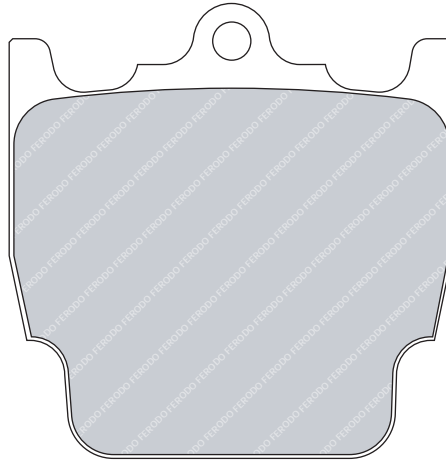
47.9mm=1.885"



18.00mm=0.709"

IMPORTANT NOTICE: Please note that the height measurement represents the radial depth, not the entire back plate

Alcon - PNF4496X515 ** (Subaru WRC 03 Front)



COMPOUND AVAILABILITY

DS3000

FRP3075



190.4mm=7.496"



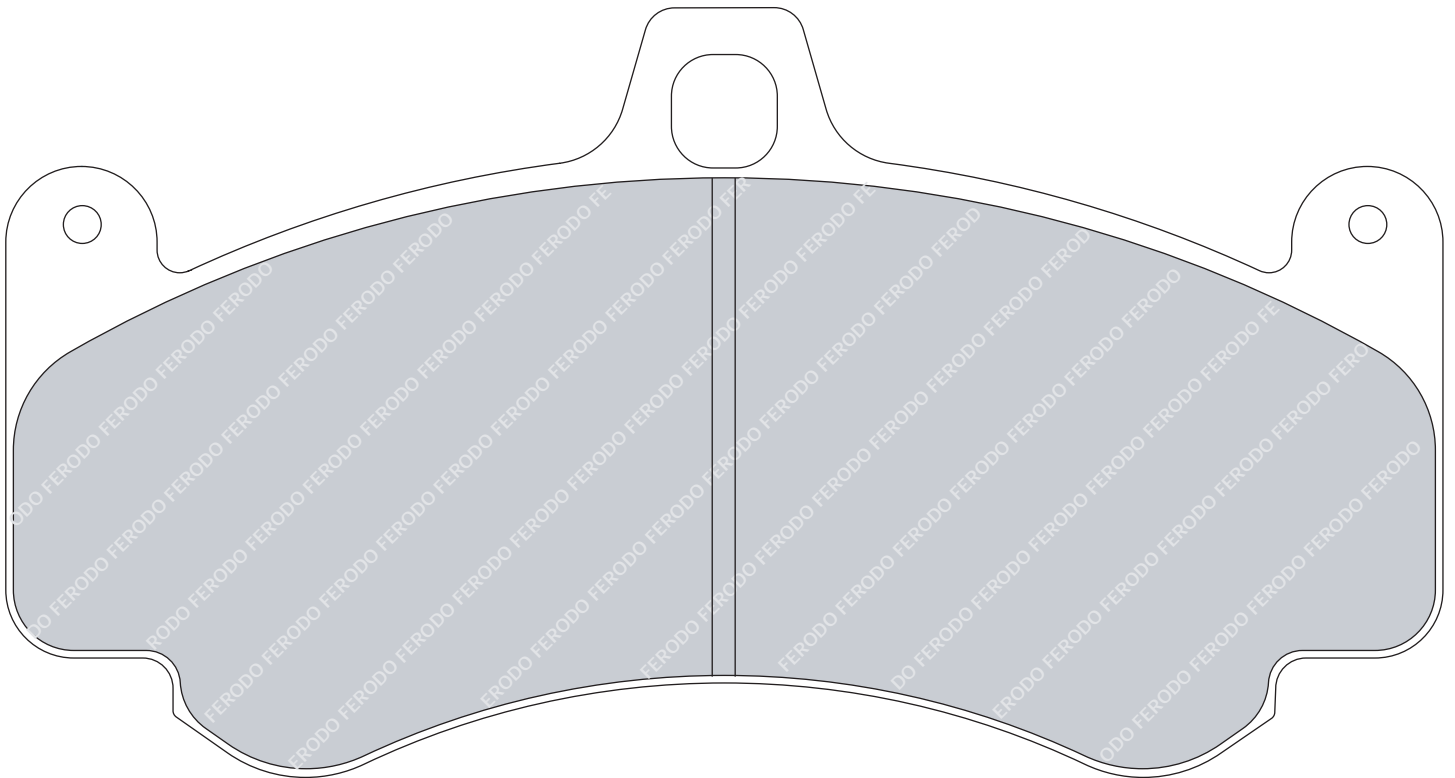
65.8mm=2.590"



17.5mm=0.688"

IMPORTANT NOTICE: Please note that the height measurement represents the radial depth, not the entire back plate

Porsche Carrera GT2, GT3 Cup 2000-> Front



COMPOUND AVAILABILITY

DS3000 End DS1.11 DS2.11

FRP3076



152mm=5.984"



50mm=1.968"



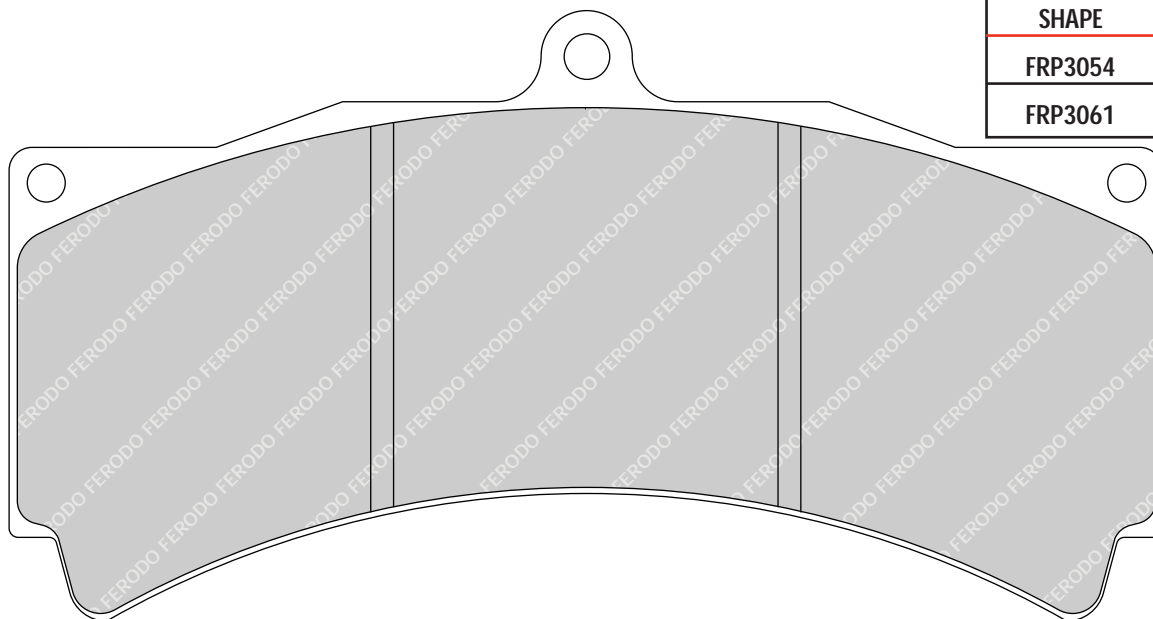
17mm=0.669"

IMPORTANT NOTICE: Please note that the height measurement represents the radial depth, not the entire back plate

AP - CP5070D51

ALSO AVAILABLE:

| SHAPE | THICKNESS |
|---------|-----------|
| FRP3054 | 18mm |
| FRP3061 | 25mm |



COMPOUND AVAILABILITY

DS2500 DS3000 End

FRP3077



152mm=5.984"



54mm=2.125"



17mm=0.669"

IMPORTANT NOTICE: Please note that the height measurement represents the radial depth, not the entire back plate

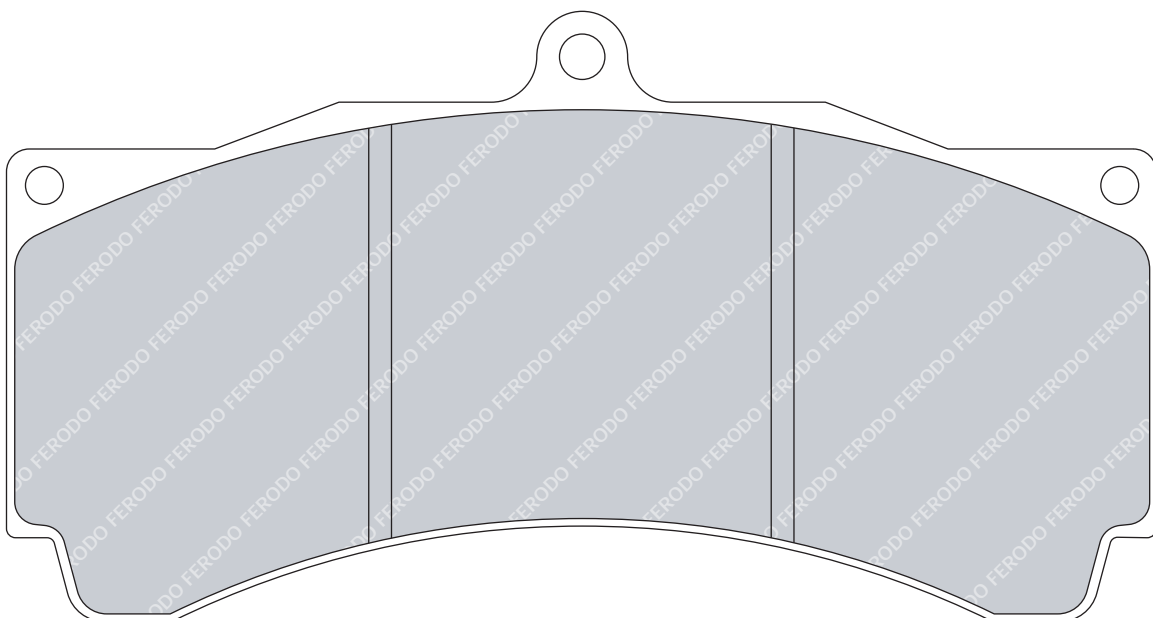
AP - CP5070D54

ALSO AVAILABLE:

| SHAPE | THICKNESS |
|---------|-----------|
| FRP3003 | 18mm |
| FRP3014 | 25mm |
| FRP3015 | 28.5mm |

COMPOUND AVAILABILITY

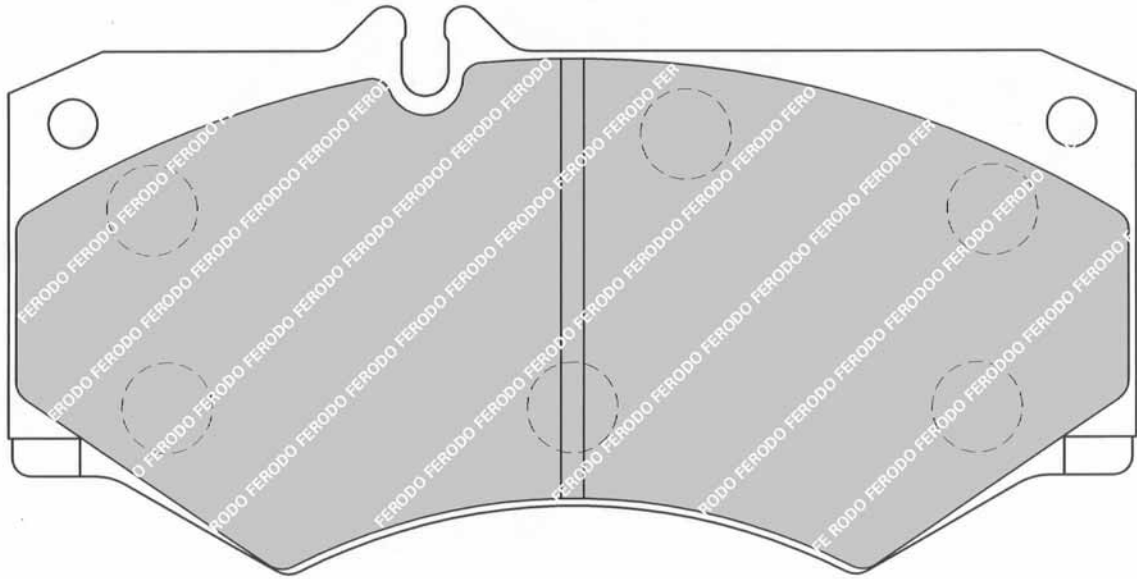
DS2500 DS1.11



FRP3078



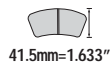
IMPORTANT NOTICE: Please note that the height measurement represents the radial depth, not the entire back plate
 Ferrari Challenge 3.6 ->Rear, Adaptable to Tarox Capiler



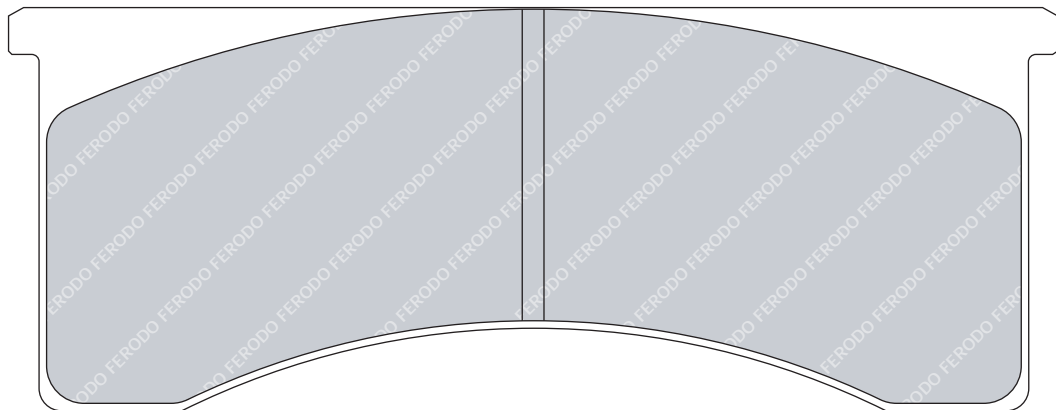
COMPOUND AVAILABILITY

DS2500 DS3000

FRP3079



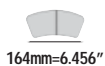
IMPORTANT NOTICE: Please note that the height measurement represents the radial depth, not the entire back plate
 Alcon - PNF4415x500 Ford Fiesta S1600



COMPOUND AVAILABILITY

DS3000 DS3000+03

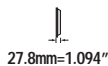
FRP3080



164mm=6.456"



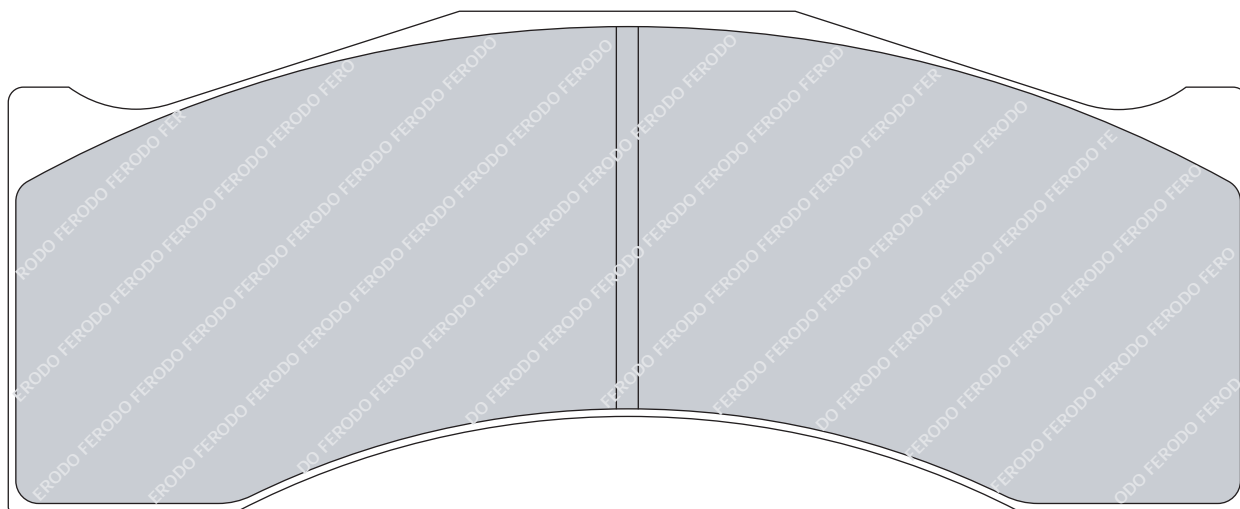
50.5mm=1.988"



27.8mm=1.094"

IMPORTANT NOTICE: Please note that the height measurement represents the radial depth, not the entire back plate

Brembo 6 piston caliper, narrow annulus



COMPOUND AVAILABILITY

DS3000 DS3000+03 DS3000 End DS1.11 DS2.11

FRP3081



152mm=5.984"



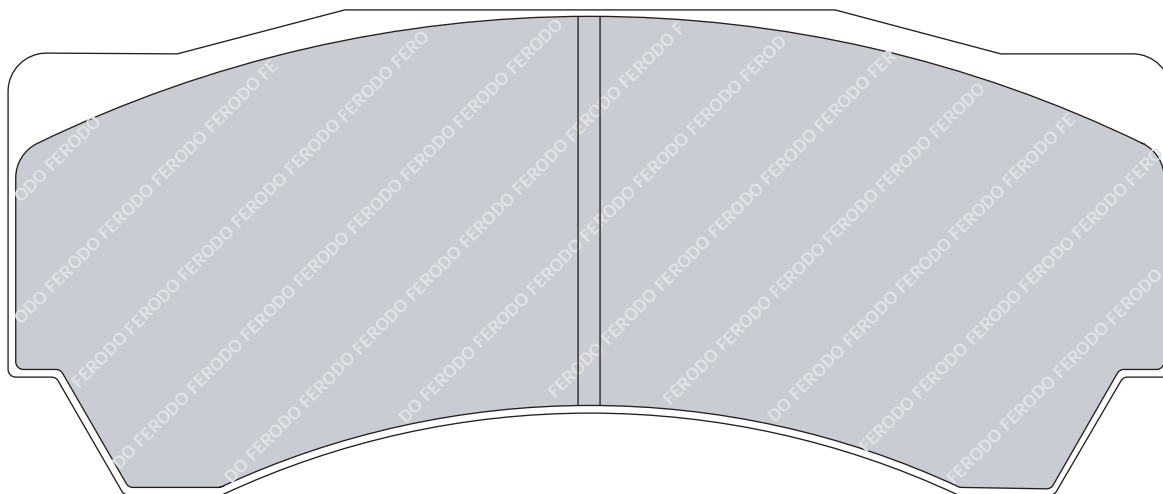
51mm=2.007"



16mm=0.629"

IMPORTANT NOTICE: Please note that the height measurement represents the radial depth, not the entire back plate

Alcon PNF4497x607, Monoblock 6 caliper



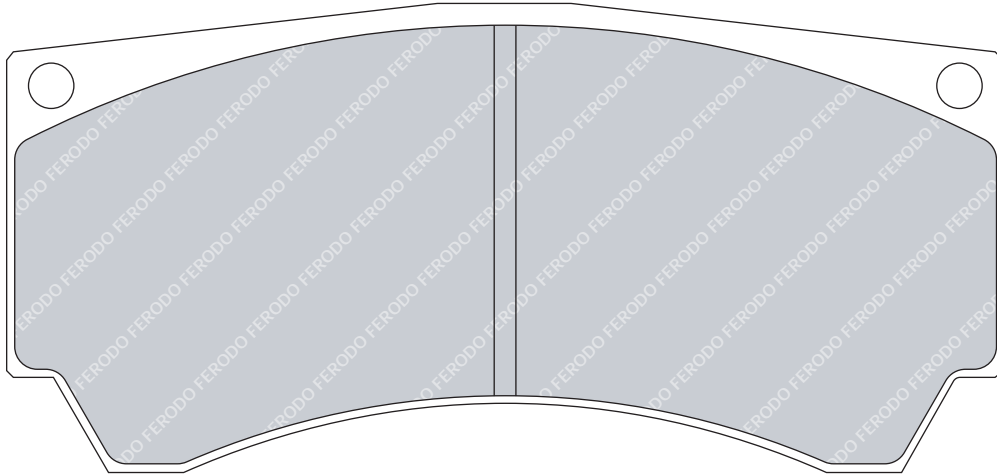
COMPOUND AVAILABILITY

DS2500 DS3000 DS1.11 DS2.11

FRP3082



IMPORTANT NOTICE: Please note that the height measurement represents the radial depth, not the entire back plate
Alcon PNF4498x603, Monoblock 4 caliper



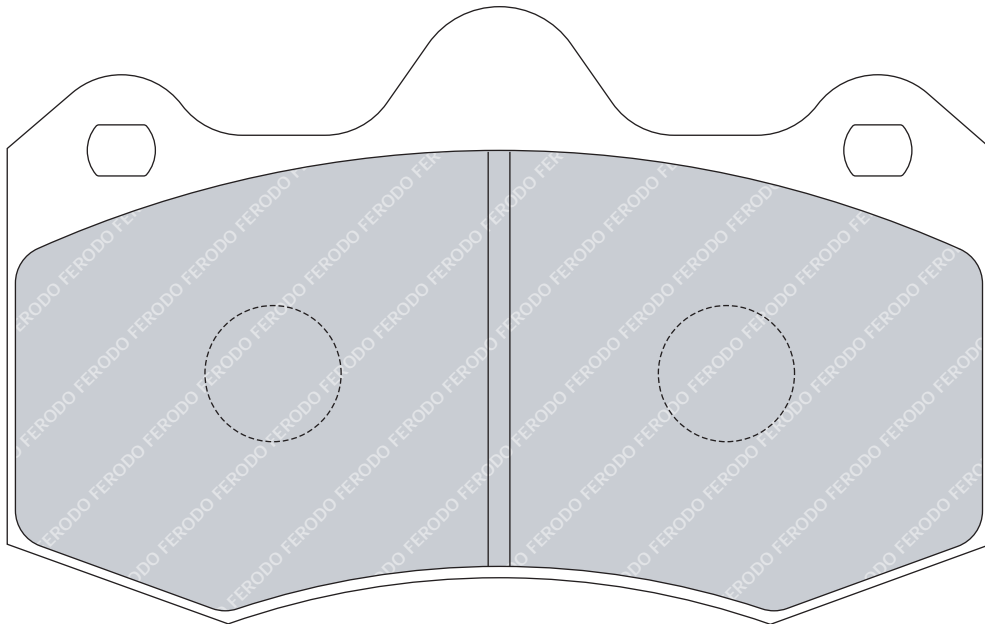
COMPOUND AVAILABILITY

DS2500 DS3000 DS1.11

FRP3083



IMPORTANT NOTICE: Please note that the height measurement represents the radial depth, not the entire back plate
AP - CP6600D55



COMPOUND AVAILABILITY

DS2500 DS3000 DS3000 End DS1.11

FRP3084



149.3mm=5.877"



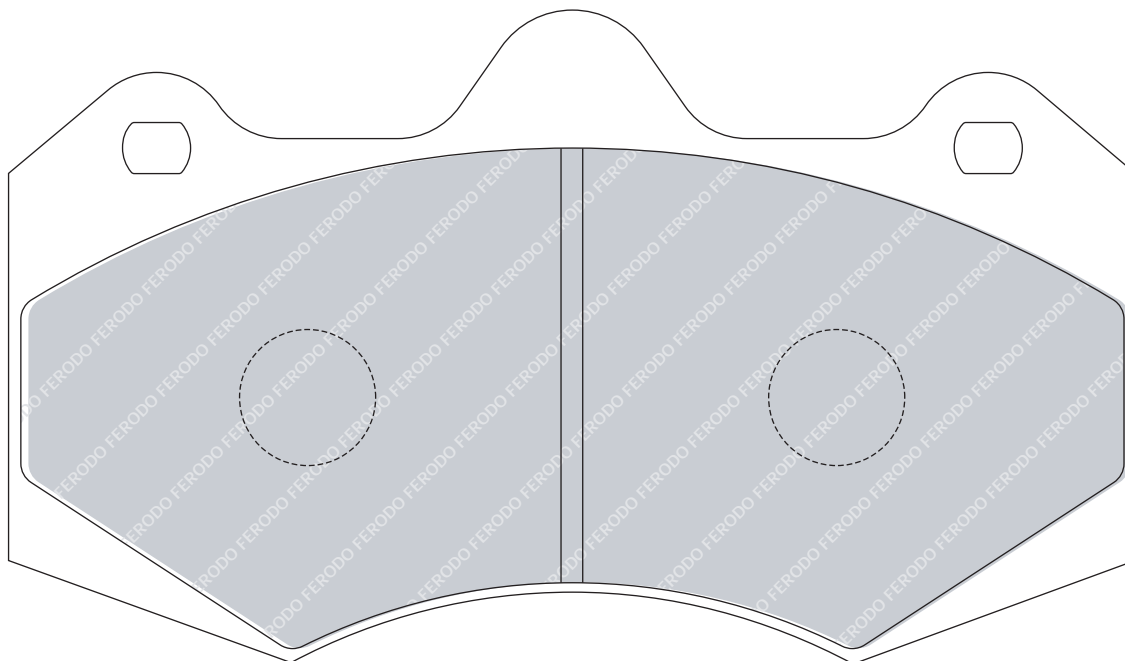
57.5mm=2.263"



16.9mm=0.665"

IMPORTANT NOTICE: Please note that the height measurement represents the radial depth, not the entire back plate

AP - CP7040D61



COMPOUND AVAILABILITY

DS2500 DS3000 DS3000 End DS1.11 DS2.11

FRP3085



113.8mm=4.480"



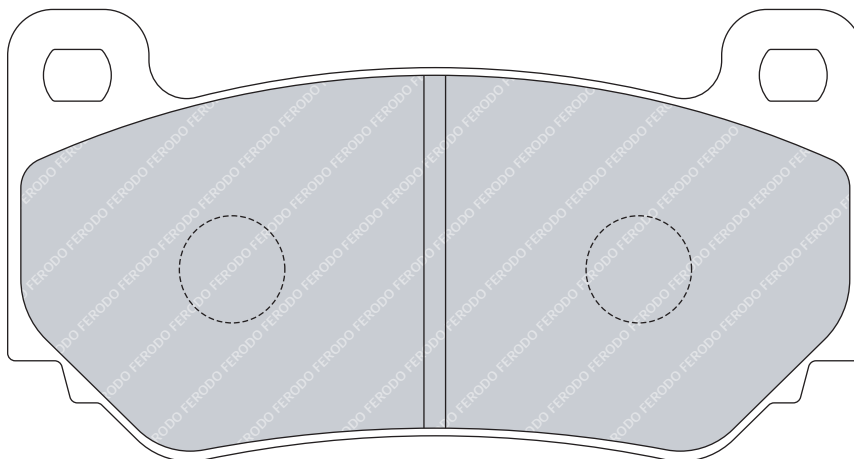
46.1mm=1.814"



16.2mm=0.637"

IMPORTANT NOTICE: Please note that the height measurement represents the radial depth, not the entire back plate

AP - CP7600D46



COMPOUND AVAILABILITY

DS2500 DS3000 DS1.11

FRP3086



86.2mm=3.393"



46mm=1.811"



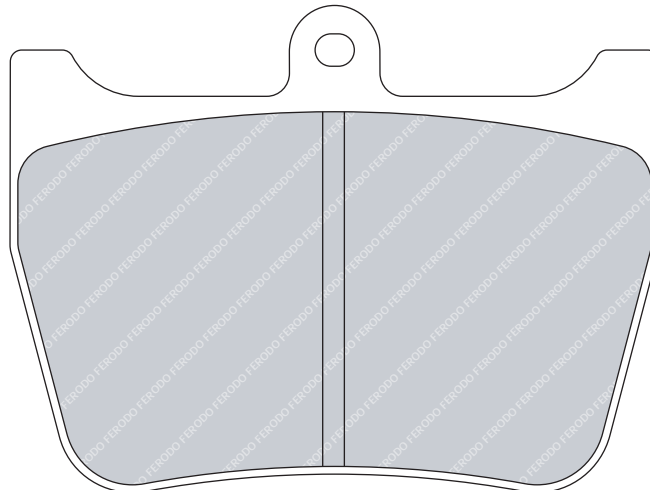
18mm=0.708"

IMPORTANT NOTICE: Please note that the height measurement represents the radial depth, not the entire back plate

AP - CP4848D46

ALSO AVAILABLE:

| SHAPE | THICKNESS |
|---------|-----------|
| FRP3020 | 15mm |



COMPOUND AVAILABILITY

DS3000 DS2.11

FRP3087



139.8mm=5.503"



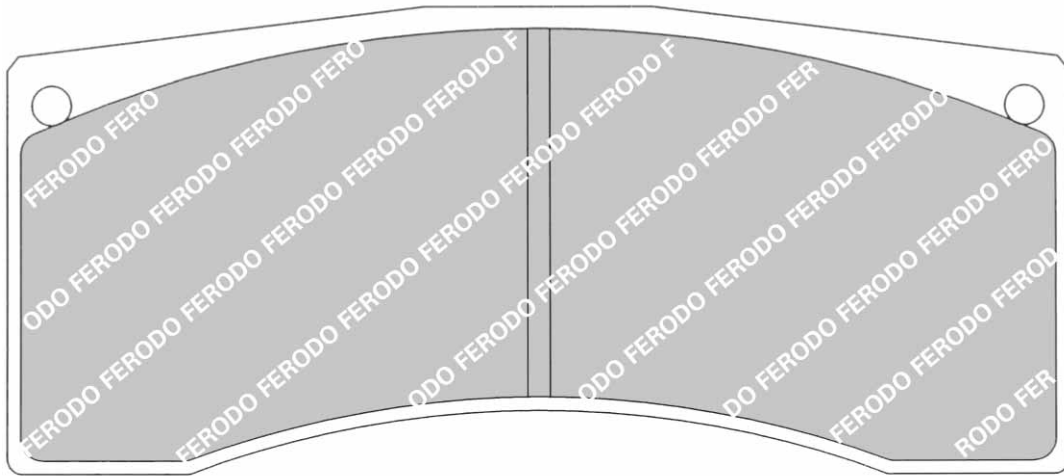
48.4mm=1.905"



17.5mm=0.787"

IMPORTANT NOTICE: Please note that the height measurement represents the radial depth, not the entire back plate

Brembo Rally S2000 - Gravel



COMPOUND AVAILABILITY

DS3000 DS2.11

FRP3088



139.8mm=5.503"



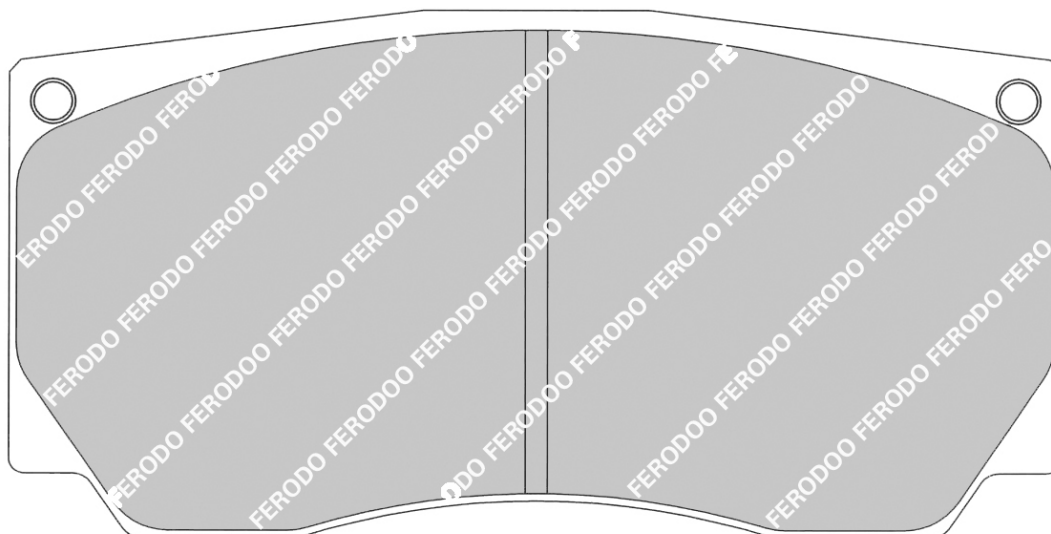
61.5mm=2.421"



17.5mm=0.688"

IMPORTANT NOTICE: Please note that the height measurement represents the radial depth, not the entire back plate

Brembo Rally S2000 - Tarmac



COMPOUND AVAILABILITY

DS3000 DS1.11 DS2.11

FRP3089



76.1mm=2.996"



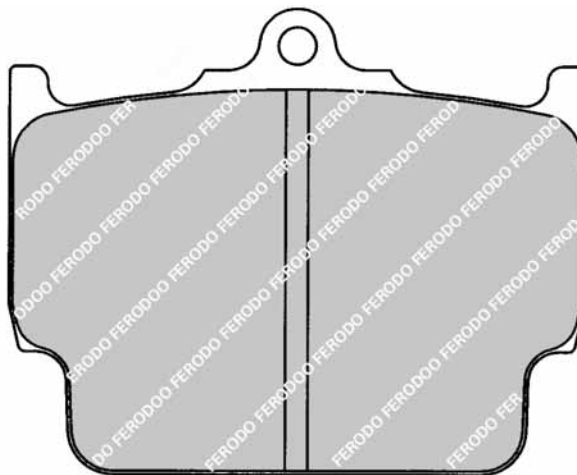
51mm=2.007"



20mm=0.787"

IMPORTANT NOTICE: Please note that the height measurement represents the radial depth, not the entire back plate

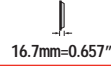
Alcon WTCC CAR14 4 pads-4 pistons caliper



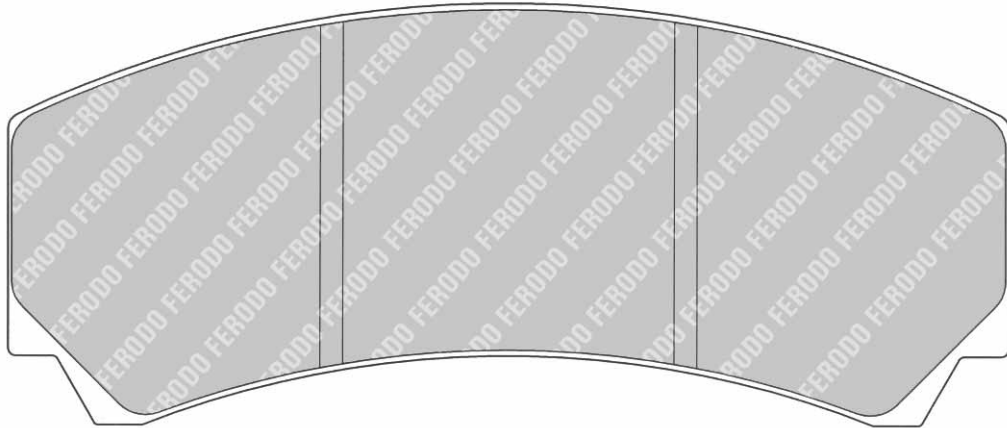
COMPOUND AVAILABILITY

DS3000+03 DS1.11 DS2.11

FRP3091



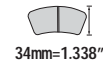
IMPORTANT NOTICE: Please note that the height measurement represents the radial depth, not the entire back plate
 AP caliper CP3215-D46 (previously FRP3072)



COMPOUND AVAILABILITY

DS3000 DS2.11

FRP3092



IMPORTANT NOTICE: Please note that the height measurement represents the radial depth, not the entire back plate
 PFC F3 System - P7835



COMPOUND AVAILABILITY

DS1.11

FRP3095



IMPORTANT NOTICE: Please note that the height measurement represents the radial depth, not the entire back plate

Porsche 997 Cup Rear (FRP3096 Front)



COMPOUND AVAILABILITY

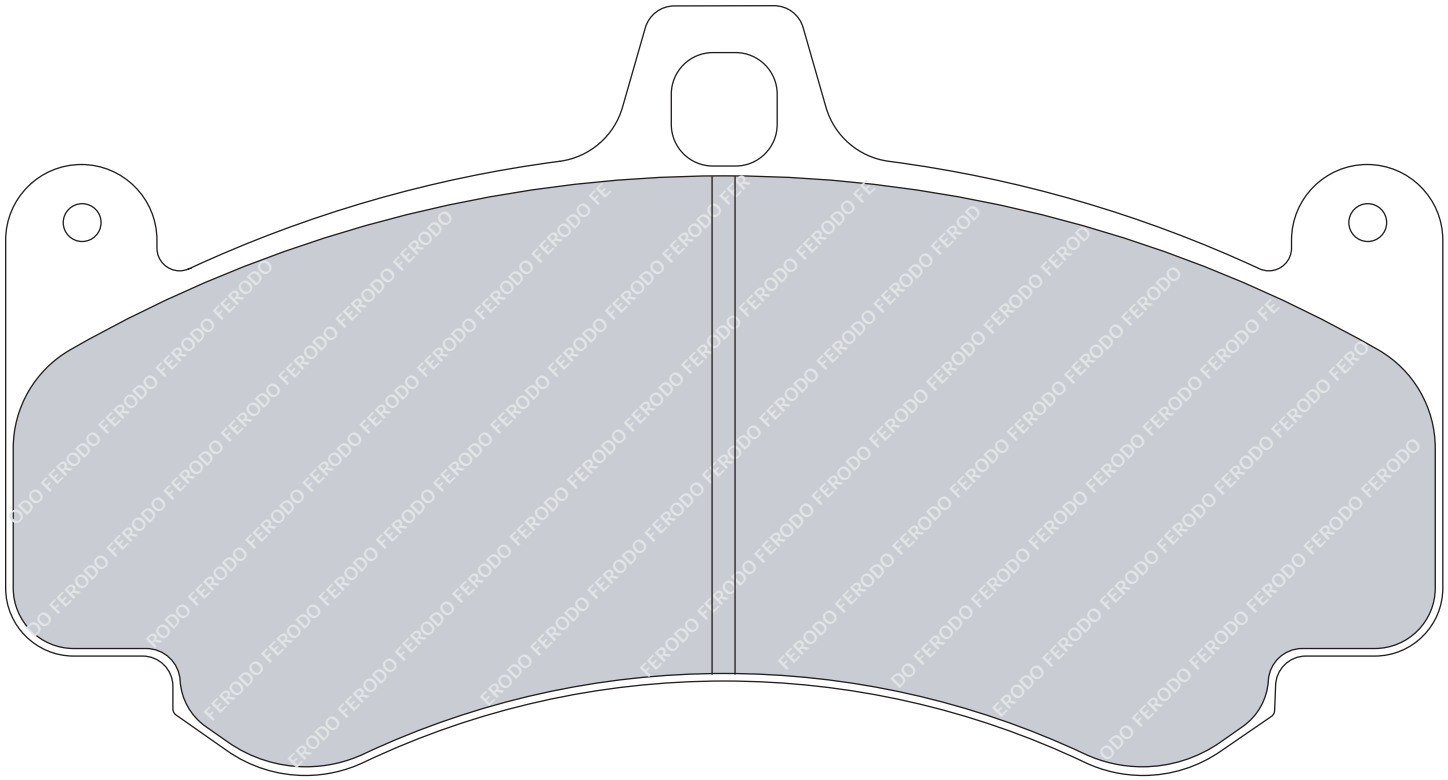
DS1.11 DS2.11

FRP3096



IMPORTANT NOTICE: Please note that the height measurement represents the radial depth, not the entire back plate

Porsche 997 Cup Front (FRP3095 Rear)



COMPOUND AVAILABILITY

DS1.11 DS2.11

FRP3097



133.2mm=5.244"



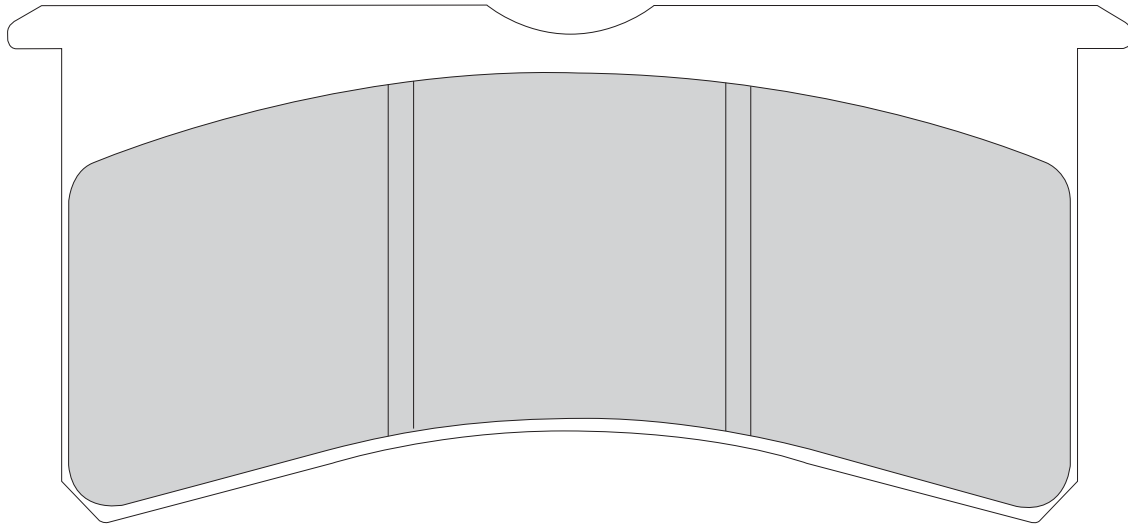
40mm=1.574"



20.35mm=0.801"

IMPORTANT NOTICE: Please note that the height measurement represents the radial depth, not the entire back plate

Stock Car, fixed bridge



COMPOUND AVAILABILITY

DS3000 DS1.11